

---

# Shelf

STORAGE UNITS

*Naoto Fukasawa*



## Description

Homogeneous Corian white, thin surfaces and strong geometrical features make the bookcases Shelf exclusive items, important presences that are also almost immaterial. Available in four sizes, of which one is designed for wall mounting. The other three can be placed even at the centre of the room as partition or screen.

---

## Technical information

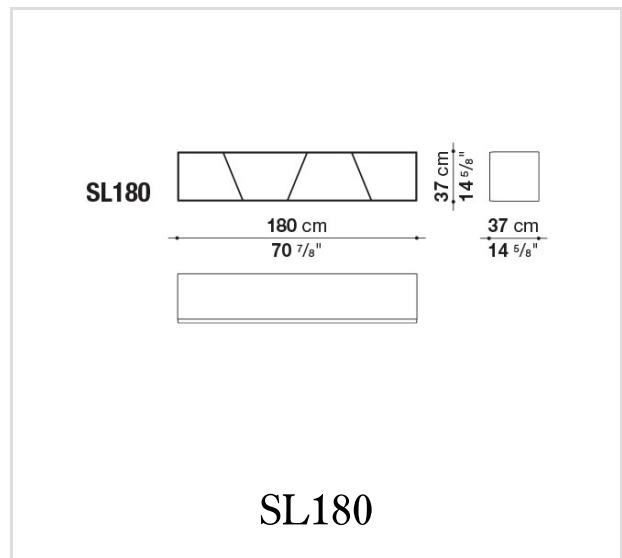
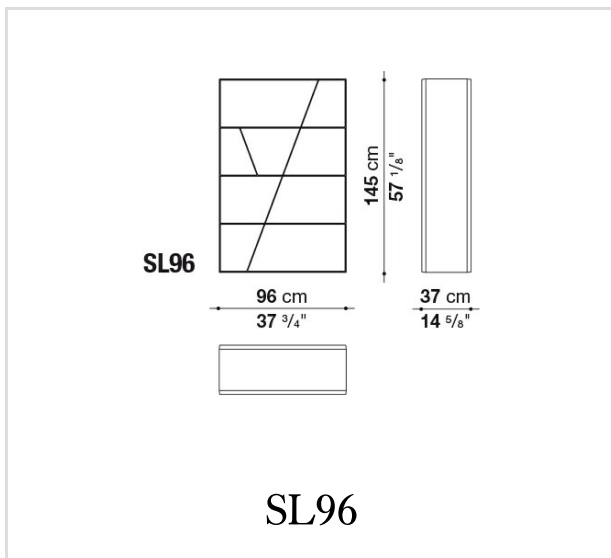
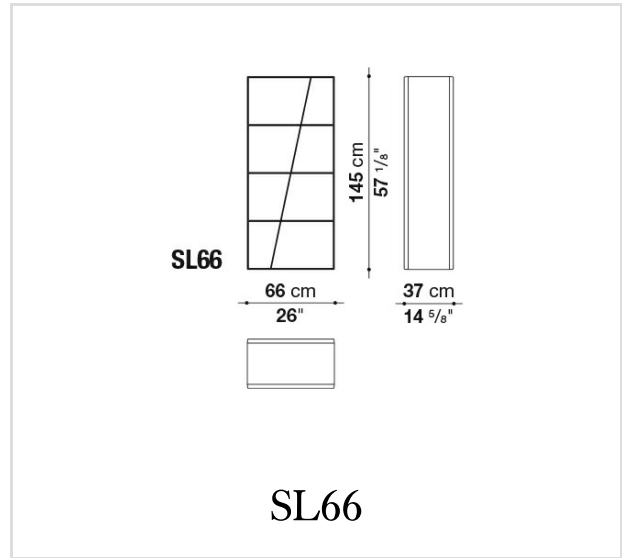
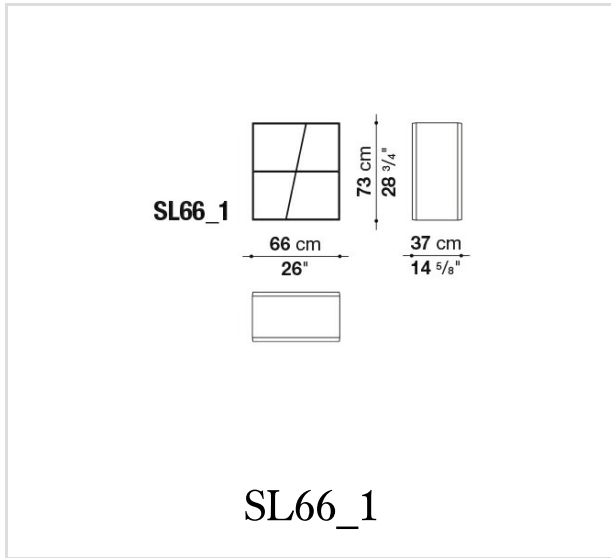
Frame:

DuPont™ Corian® (white acrylic material)

Wall fixing brackets (SL180):

galvanized steel profiles

# Technical drawings



B&B Italia reserves the right to make technological and aesthetic improvements to its models, including changes to the sizes and materials, without notice. The technical drawings do not define the details of the product. The measurements shown are indicative and may undergo changes. In particular, the dimensions relevant to the padded parts are subject to usage tolerances over time caused by the normal adjustment of the padding. For the specific information, please contact the dealer closest to you.