
Amoenus Soft

SOFAS

Antonio Citterio



Description

Technical information

Internal frame

tubular steel and steel profiles

Internal frame upholstery

Bayfit® flexible cold shaped polyurethane foam, shaped polyurethane, polyester fibre cover

Internal frame upholstery (AM170G)

Bayfit® flexible cold shaped polyurethane foam, shaped polyurethane, polyester fibre cover with polyester fibre seat upholstery

Internal frame upholstery (AM110P-AM154P)

shaped polyurethane of different density, polyester fibre cover

Seat cushion upholstery

shaped polyurethane of different density, sterilized down, polyester fibre cover

Back cushion (AM60C-AM90C)

down feather, box style typology

Lower edge

die-cast aluminium and extrusions

Feet

thermoplastic material

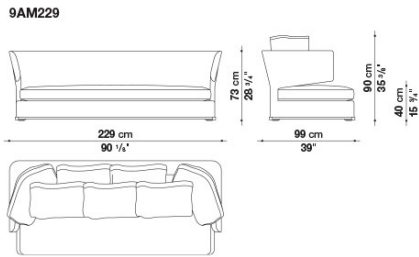
Wheels (AM170G)

plastic material

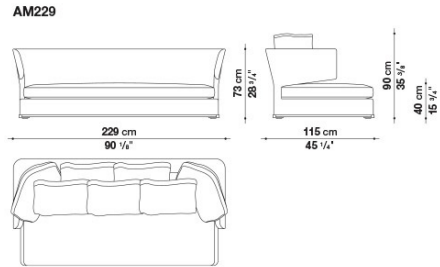
Cover

fabric (eco-leather profiles) or leather (envelope stitching)

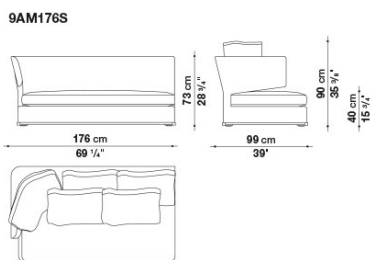
Technical drawings



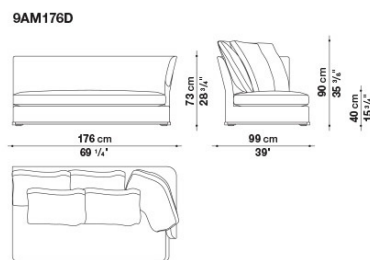
9AM229



AM229

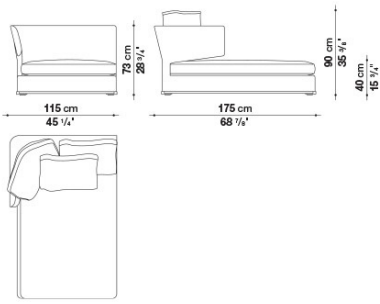


9AM176S



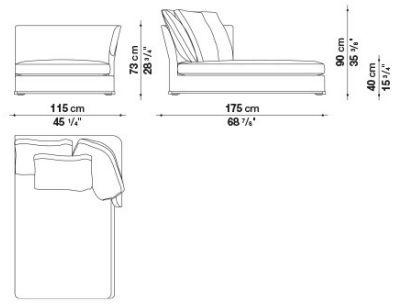
9AM176D

AM175LS



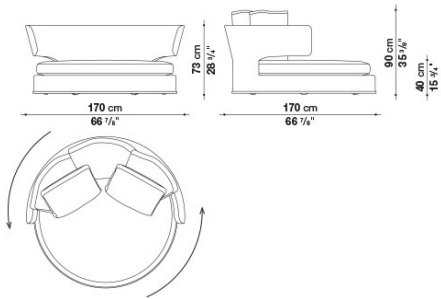
AM175LS

AM175LD



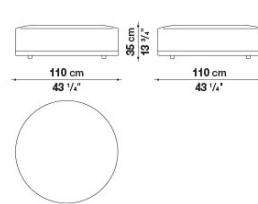
AM175LD

AM170G



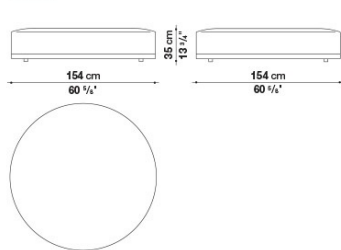
AM170G

AM110P



AM110P

AM154P



AM154P

B&B Italia reserves the right to make technological and aesthetic improvements to its models, including changes to the sizes and materials, without notice. The technical drawings do not define the details of the product. The measurements shown are indicative and may undergo changes. In particular, the dimensions relevant to the padded parts are subject to usage tolerances over time caused by the normal adjustment of the padding. For the specific information, please contact the dealer closest to you.