

George

ARMCHAIRS

2013

Antonio Citterio



Description

The George armchair, available in two sizes, is designed specifically for the contract industry, its seat and back cushions offering a high and formal seating solution. Upholstered in either fabric or leather, it's base frame is in aluminium. The project also includes a two-seater and three-seater sofa.

Technical information

Internal frame

tubular steel and steel profiles

Internal frame upholstery

Bayfit® flexible cold shaped polyurethane foam, polyester fibre cover

Cushion upholstery

shaped polyurethane of different density, polyester fibre, cover in polyester fibre and cotton

Support frame

die-cast aluminium and extrusions

Ferrules

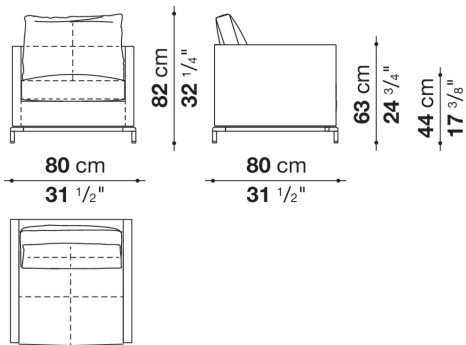
thermoplastic material

Cover

fabric or leather in limited categories

Technical drawings

GS80



GS105

