

# Metropolitan '14

ARMCHAIRS

2014

Jeffrey Bennett



## Description

---

With their slender profile and expertly tailored design, the Metropolitan '14 small and regular armchairs stand out for their modern style marked by the seat flowing uninterruptedly into the armrests. The small version, with a four-spoke aluminium swivel base, combines elegance and comfort, while the regular version, with a four-spoke or round swivel base, is wider and comes with a headrest. Both models can be upholstered in fabric or leather. The series comes complete with a matching footrest.

## Technical information

---

**Internal frame**

tubular steel and steel profiles

**Internal frame upholstery**

Bayfit® flexible cold shaped polyurethane foam, shaped polyurethane, polyester fibre cover

**Internal frame upholstery (MP63-MP63\_1)**

Bayfit® flexible cold shaped polyurethane foam, polyester fibre cover

**Loinrest cushion upholstery**

polyester fibre, cotton cover

**Headrest cushion (MP\_P)**

polyester fibre, cotton cover, steel sheet counterweight

**Support frame (MP100ADP)**

aluminium laminate and extrusions

**Support frame (MP100AP-MP100-MP63\_1)**

die-cast aluminium and extrusions

**Support frame (MP63)**

drawn steel

**Base-frame (ML100AP-ML100)**

drawn steel and wood

**Ferrules**

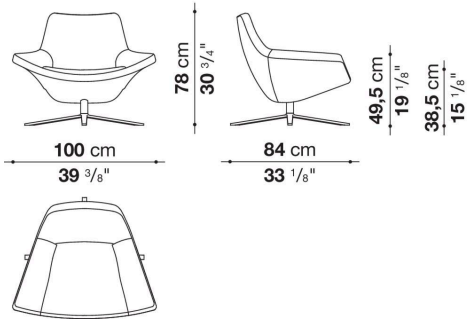
thermoplastic material

**Cover**

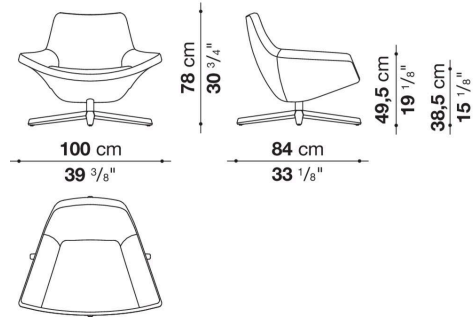
fabric or leather

# Technical drawings

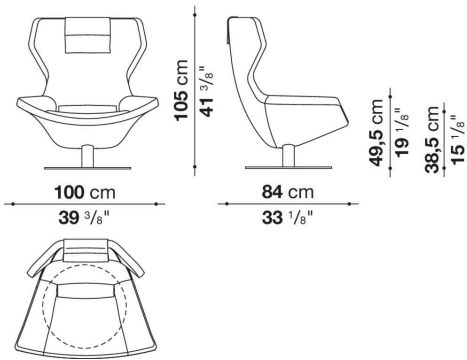
**MP100**



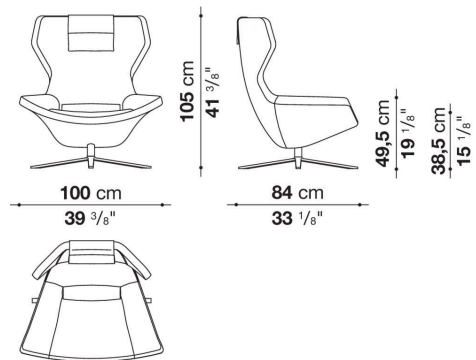
**ML100**



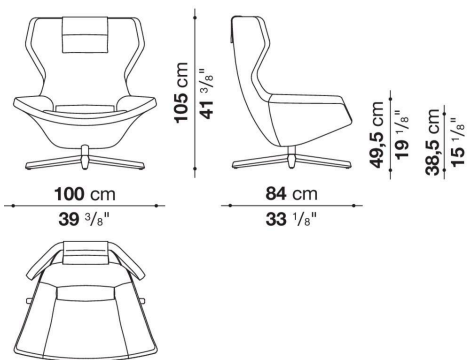
**MP100ADP**



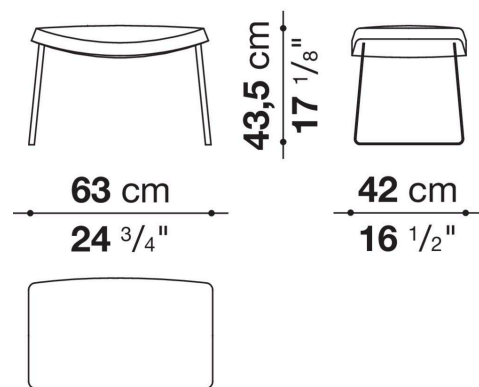
**MP100AP**



**ML100AP**



**MP63**



# MP63\_1

