

Mirto Outdoor

Complements

2015

Antonio Citterio



Description

The Mirto Outdoor console, forming part of a complete collection of seats, tables and coffee tables, is characterised by a visually light frame and by a top in the same finish of the frame, in Iroko slats or in porcelain stoneware. Its elegant, clean design adapts to a variety of contexts and projects in terms of style and function.

Technical information

Frame

die-cast aluminium and extrusions with polyurethane painting

Top

aluminium sheet with polyurethane painting, porcelain stoneware, wooden slats or enamelled lava stone on aluminium top

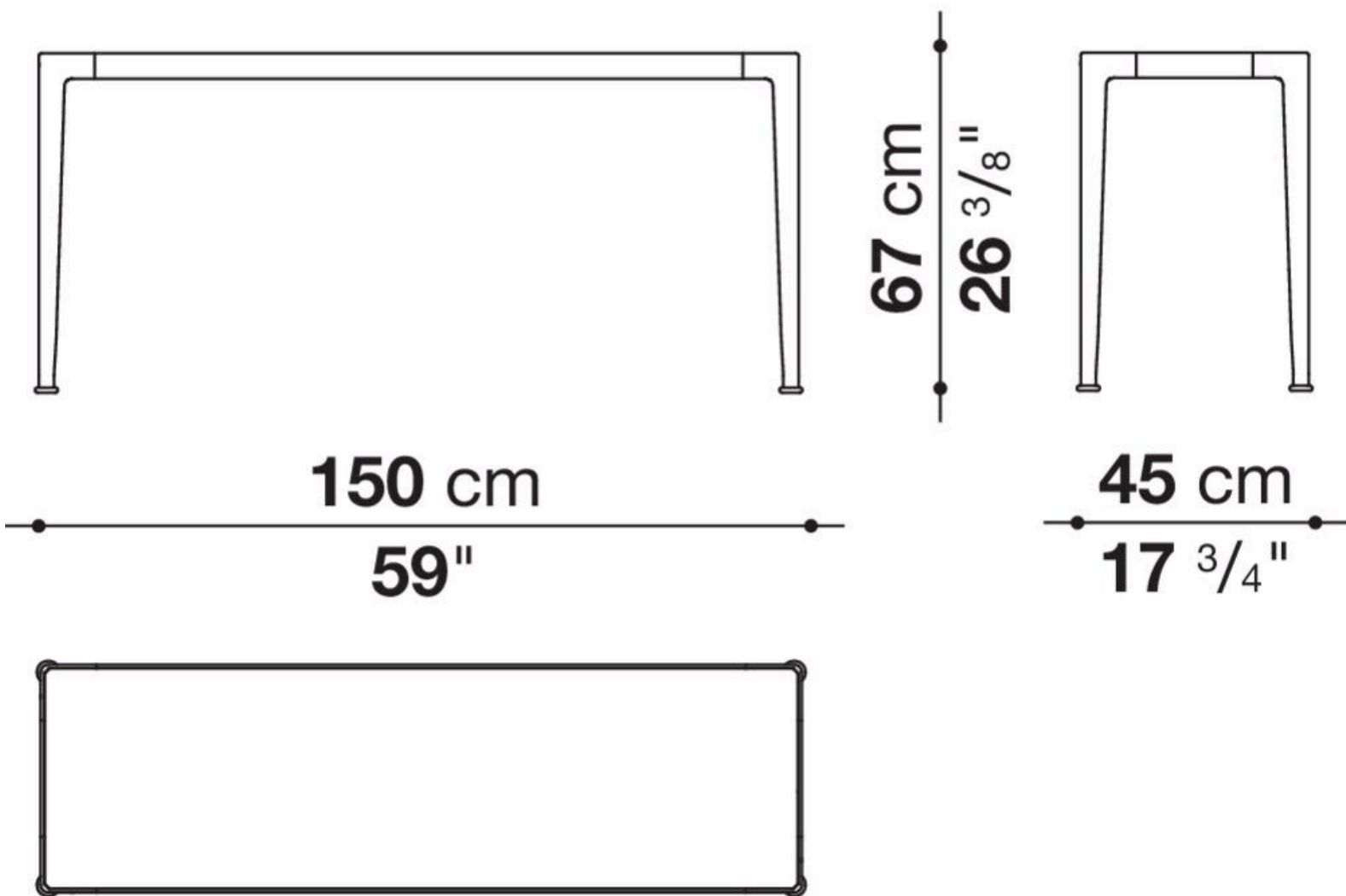
Ferrules

thermoplastic elastomer

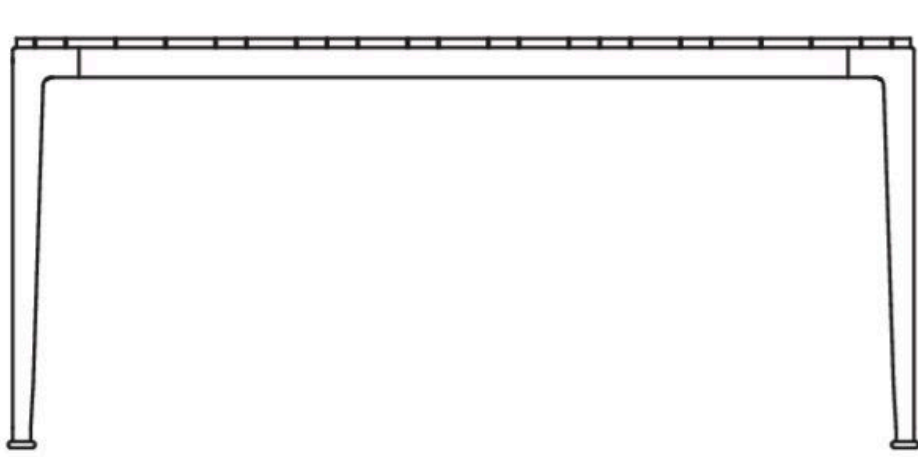
Waterproof cover cloth

PES fabric coated on one side in PU

MI150_6



MI150_6L

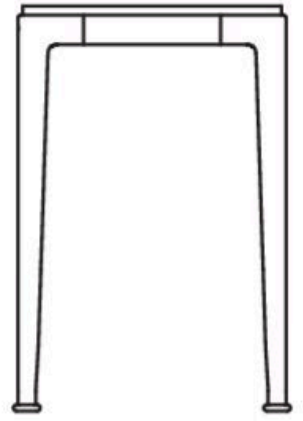


150 cm

59"

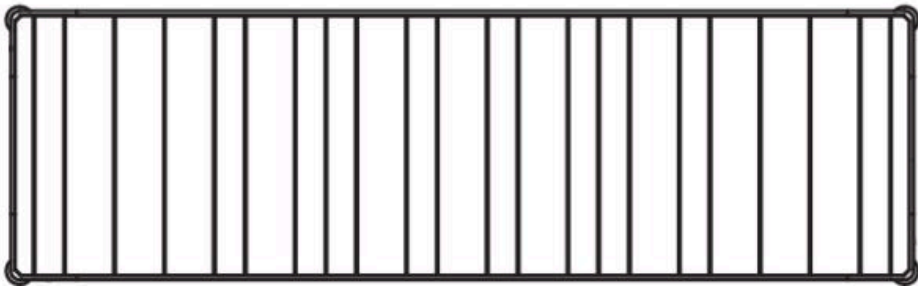
68,5 cm

27"



45 cm

17 3/4"



MI150_6G

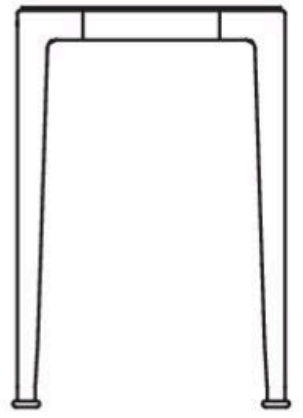


150 cm

59"

67 cm

26 3/8"



45 cm

17 3/4"

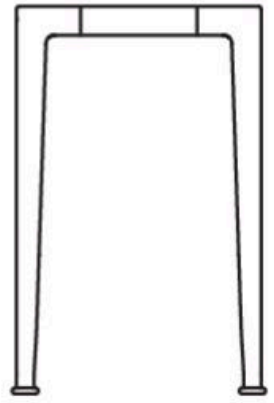


TMO162_6



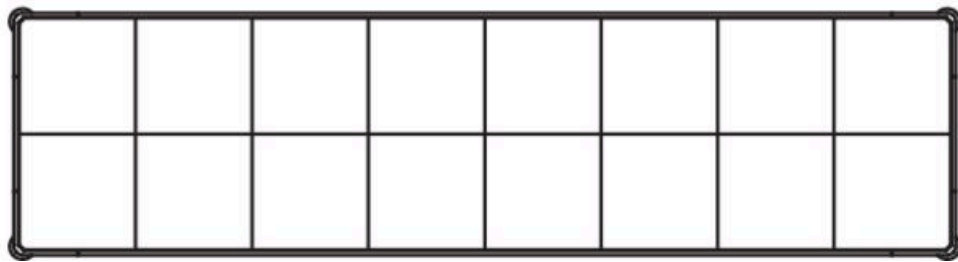
162 cm

63 ³/₄"

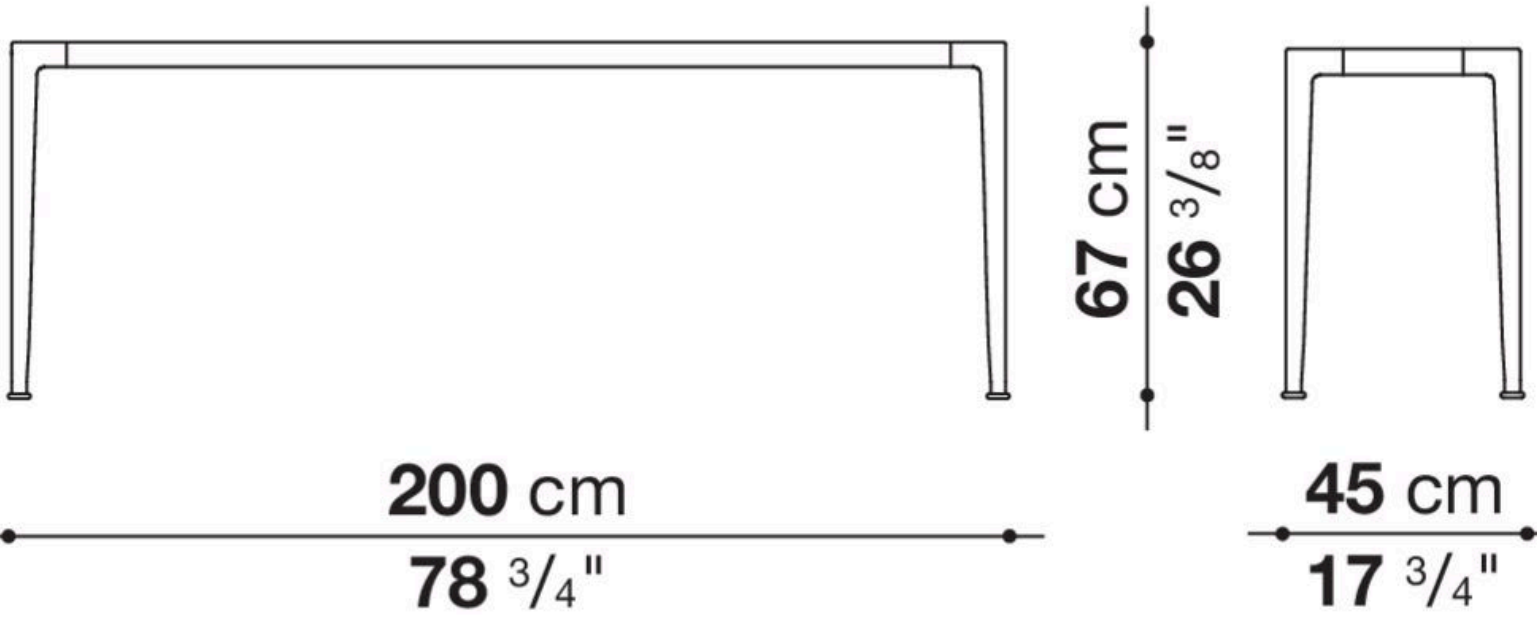


42 cm

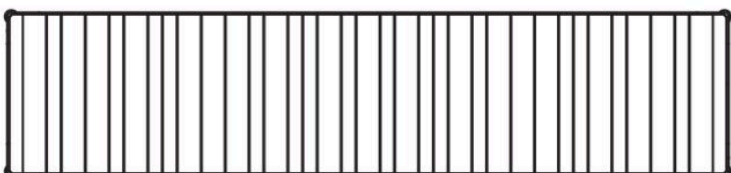
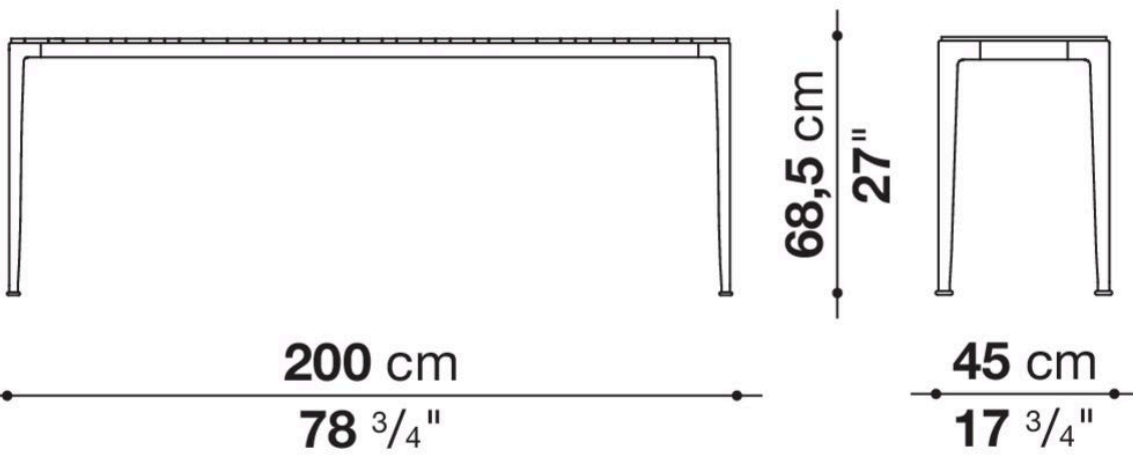
16 ¹/₂"



MI200_6



MI200_6L



MI200_6G

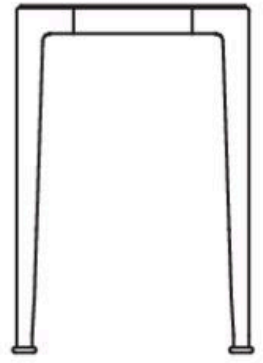


200 cm

78 ³/₄"

67 cm

26 ³/₈"



45 cm

17 ³/₄"



MI250_6

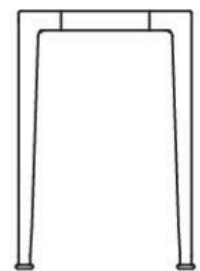


250 cm

98 ³/₈"

67 cm

26 ³/₈"

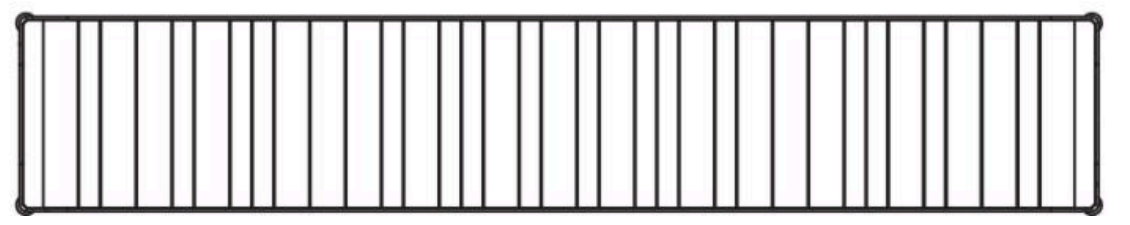
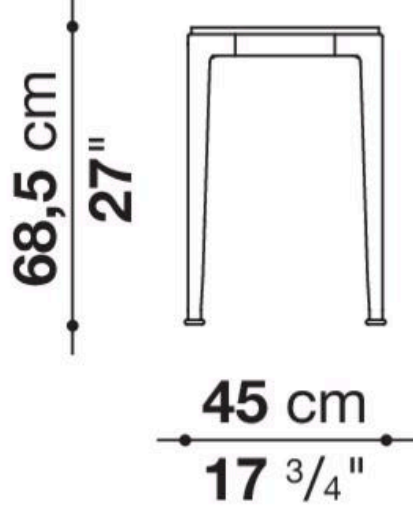
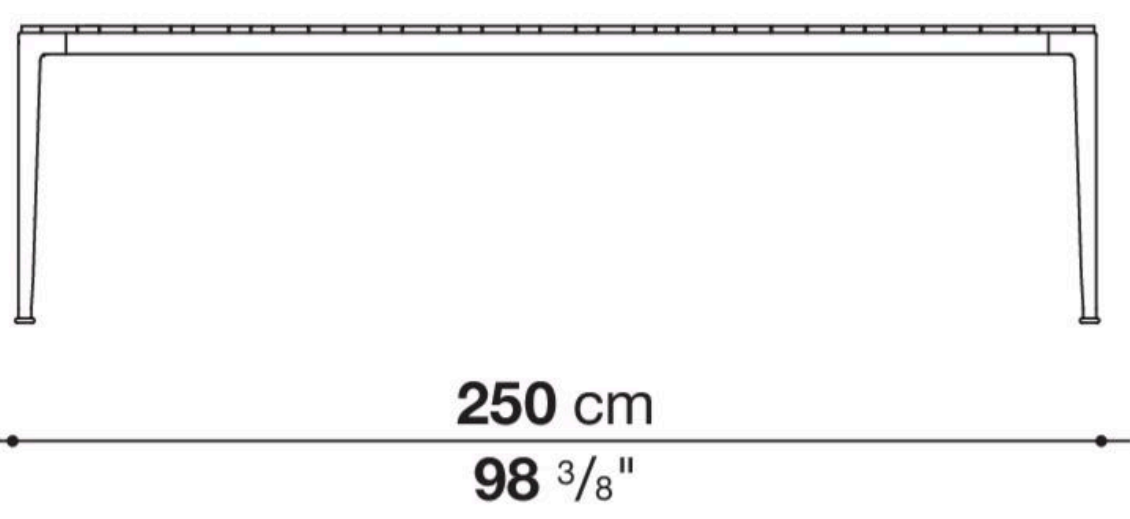


45 cm

17 ³/₄"



MI250_6L



MI250_6G

