

# Richard

ARMCHAIRS

2016

Antonio Citterio



## Description

---

Available in two widths and two depths, for more or less formal use, the Richard armchair reveals a delicate balance between contemporary shapes and a classic allure. Forming part of a comprehensive set of seating solutions, it is available upholstered in fabric with tone-on-tone or contrasting profiles or in leather with matching profiles. The frame is underscored at the base by a metal profile.

## Technical information

---

**Internal frame**

tubular steel and steel profiles

**Internal frame upholstery**

Bayfit® flexible cold shaped polyurethane foam, polyester fibre

**Seat cushion upholstery**

shaped polyurethane of different density, visco-elastic polyurethane, sterilized down, polyester fibre

**Back cushion upholstery**

polyester fibre, shaped polyurethane, sterilized down

**Lower edge**

die-cast aluminium and extrusions

**Ferrules**

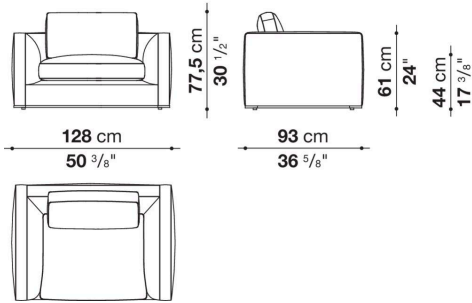
thermoplastic material

**Cover**

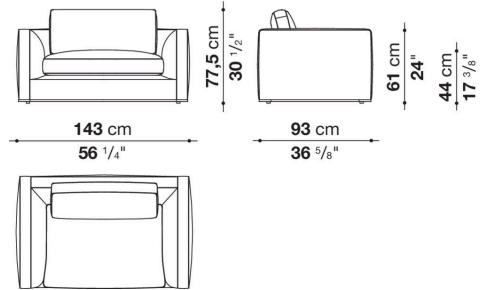
fabric (profiles in Bellano or Bormio fabric) or leather

# Technical drawings

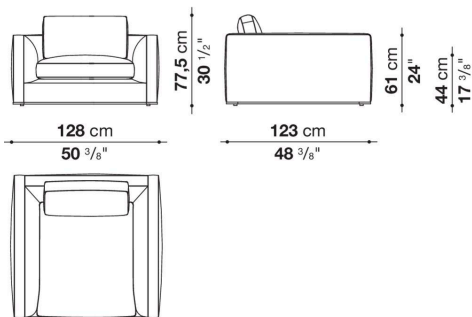
**9RA125**



**9RA140**



**RA125**



**RA140**

