

# Charles Large

SOFAS

2003

Antonio Citterio



## Description

---

The Charles Large modular sofa is an exceptionally comfortable seat with a fabric or leather cover. Airy and light in shape, it develops the idea of the sofa as a welcoming shelter where you can also lie down. The project reinterprets and enriches the Charles system, a long-standing best seller of B&B Italia, with a version with a wider depth. The project's striking features remain the essential design of the die-cast aluminium feet in the shape of an inverted "L", the single seat cushion, and the free back cushions.

## Technical information

---

**Internal frame**

tubular steel and steel profiles

**Internal frame upholstery**

Bayfit® flexible cold shaped polyurethane foam, polyester fibre cover

**Seat cushion upholstery (home)**

shaped polyurethane of different density, sterilized down, polyester fibre cover

**Seat cushion upholstery (public spaces)**

shaped polyurethane of different density, polyester fibre, polyester fibre cover

**Back cushion (CH48\_C-CH72\_C)**

polyester fibre, box style typology

**Feet**

die-cast aluminium

**Ferrules**

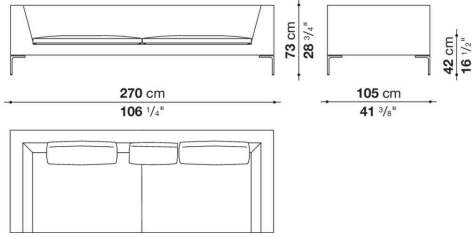
thermoplastic material

**Cover**

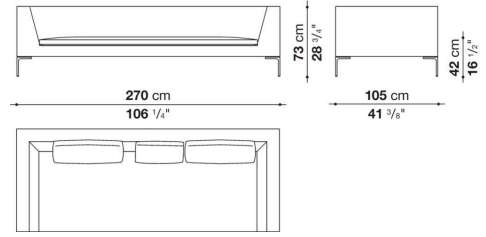
fabric or leather

# Technical drawings

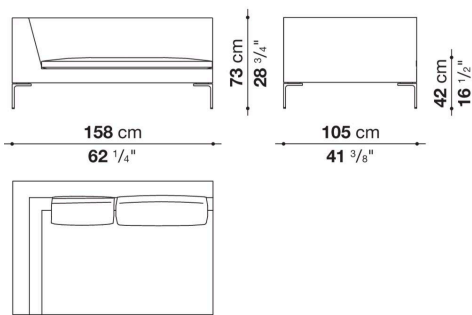
**CHL270**



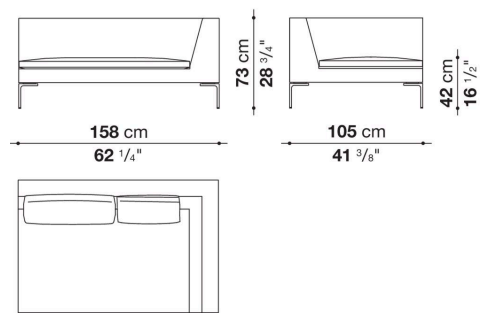
**CHL270\_1**



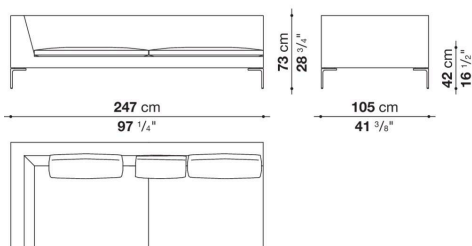
**CHL158S**



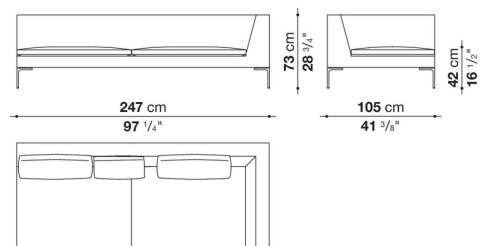
**CHL158D**



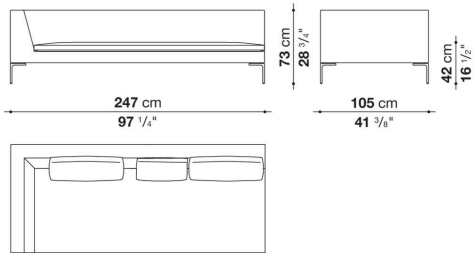
**CHL247S**



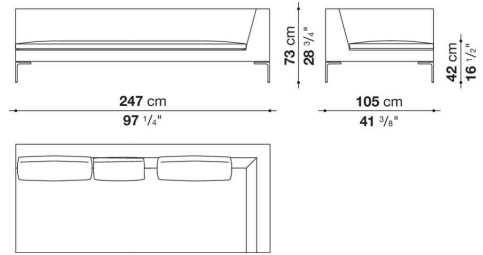
**CHL247D**



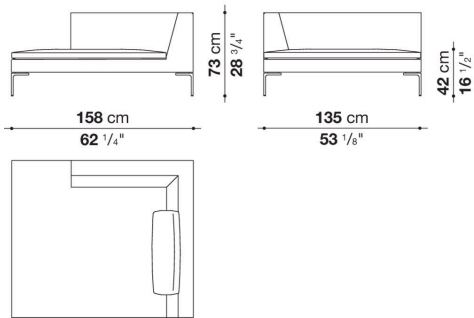
CHL247S\_1



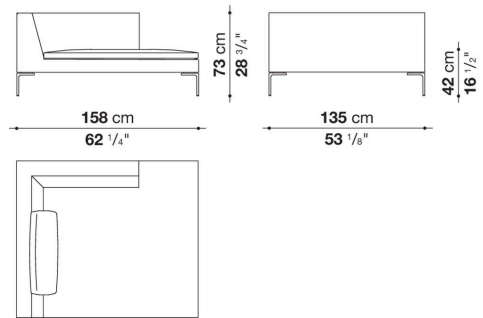
CHL247D\_1



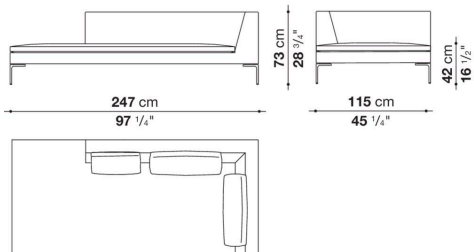
CHL135LS



CHL135LD



CHL247LS\_1



CHL247LD\_1

