

# Alys

BEDS

2013

Gabriele & Oscar Buratti



## Description

---

A sheet of leather “pinched” in two places at the base: here is where the movement and natural inclination of the Alys headboard originate. A headboard with a welcoming and protective shape, of great formal effectiveness, that has thin perimeter strips marked by a lengthwise seam. The bed frame can be placed at two different heights, thanks to two sets of feet supplied with the bed.

## Technical information

---

**Internal frame**

tubular steel and steel profiles

**Internal frame upholstery**

Bayfit® flexible cold shaped polyurethane foam, polyester fibre cover

**Bed sides**

anodized aluminium extrusions

**Feet**

thermoplastic material

**Slatted base**

tubular steel and wood multi-layered slats

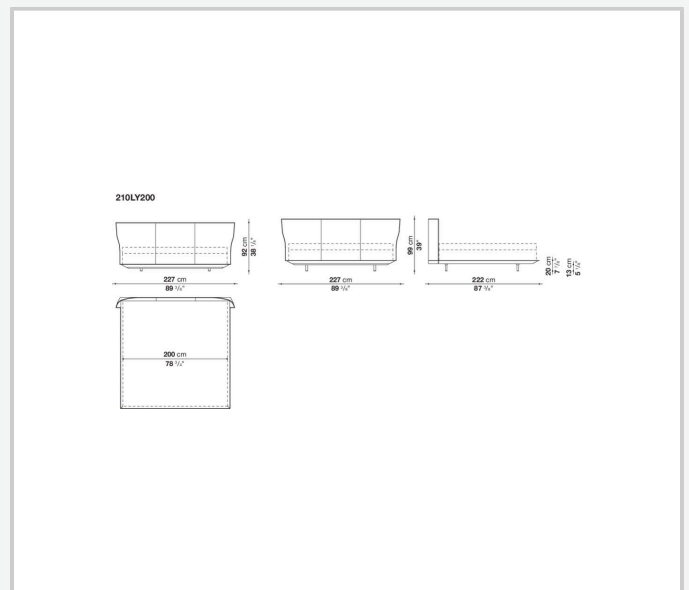
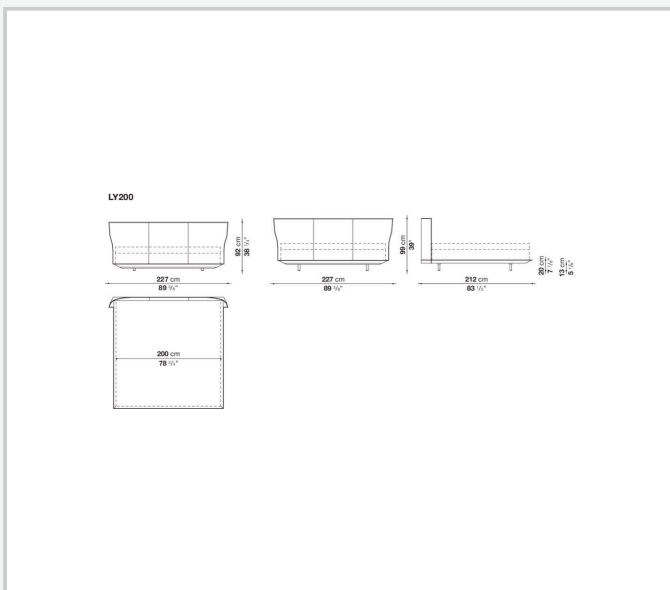
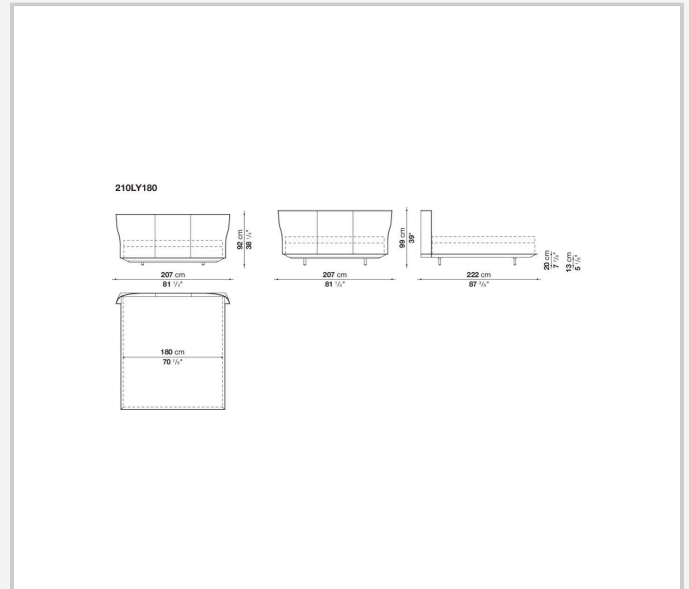
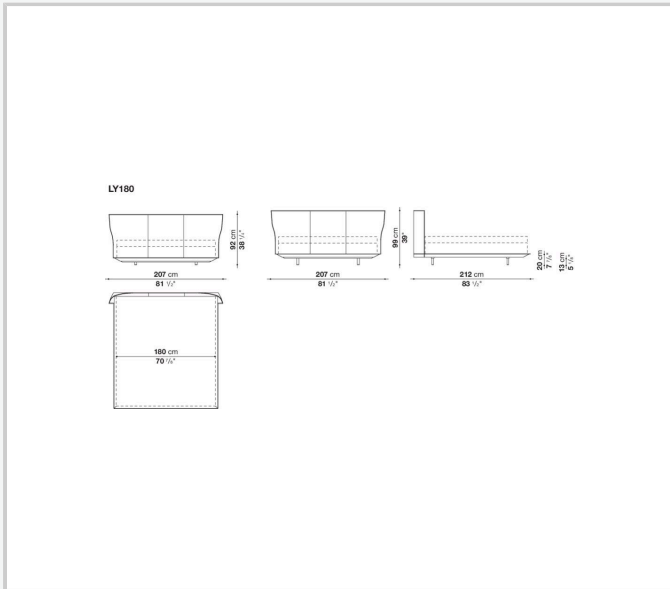
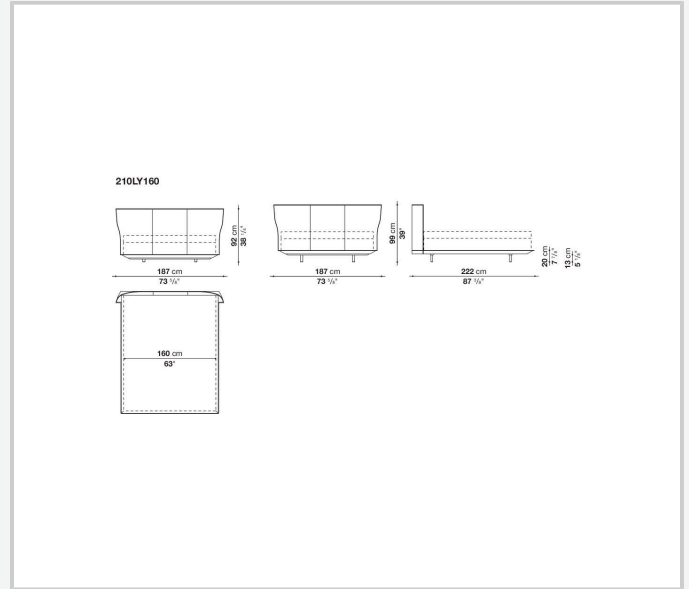
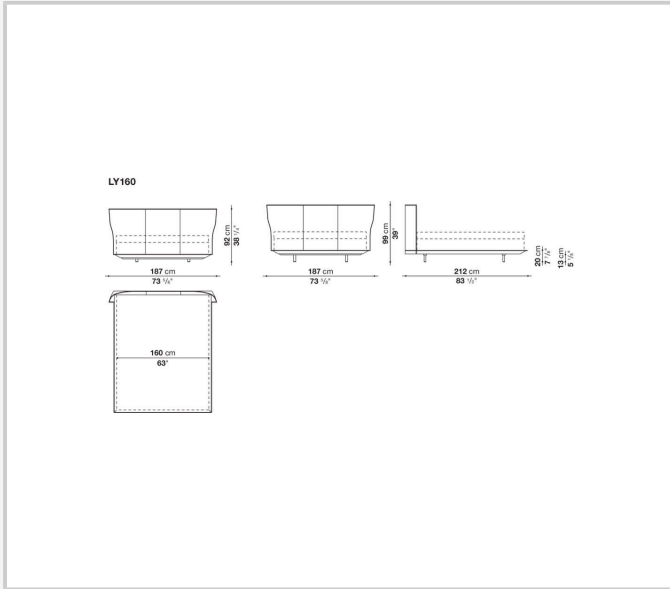
**Support crosspiece for slatted base**

tubular steel

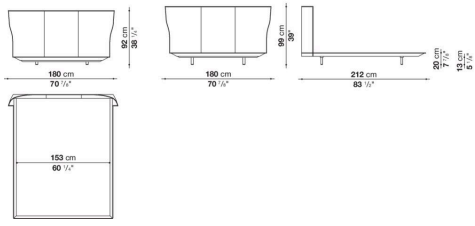
**Cover**

thick leather

# Technical drawings



LY153



LY193

