

Bull

COMPLEMENTS

2019

Naoto Fukasawa



Description

Bull is a multipurpose bench that reproduces on a reduced scale the essential design of the homonymous table with the characteristic detail of the slightly inclined round section legs. Available in two sizes, it is made of solid oak in various finishes and completed by round cushions with fabric or leather upholstery.

Technical information

Top

solid wood, veneered wood particles panel

Frame

solid wood

Support crosspieces

steel

Feet

plastic material

Cushion

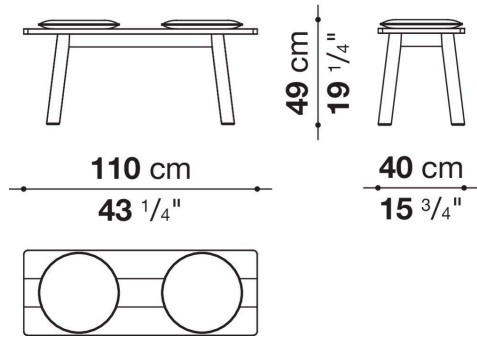
shaped polyurethane, polyester fibre

Cushion cover

fabric or leather

Technical drawings

TBU110



TBU190

