

Tobi-Ishi

TABLES

2012

Edward Barber & Jay Osgerby



Description

Available both round and rectangular with rounded ends, Tobi-Ishi is a sculptural table that makes reference, stylistically and in its very name, to the ornamental stones used in traditional Japanese gardens. This iconic table brings together functional features with a statuesque appearance, with truly amazing results. The overhanging top and bases look different depending on the viewpoint, while the various finishes endow the table with highly personal interpretations: from cement grout to marble or wood, and from matt lacquering in a wide range of colours to glossy lacquering also in sophisticated candy red and smoke blue hues.

Technical information

Top (T160-T240R)

MDF wood fibre panel

Legs (T160-T240R)

high density polyurethane resin (Baydur®)

Counterweight (T160-T240R)

cast iron

Top (T160L-T240RL-T313RL)

veneered wood particles panel with solid wood parts

Legs (T160L-T240RL-T313RL)

solid wood

Counterweight (T160L-T240RL-T313RL)

steel

Top and legs (T160M)

marble (matt polyester finish or glossy polyester finish)

Coupling plate (T160M)

stainless steel

Adjustable ferrules

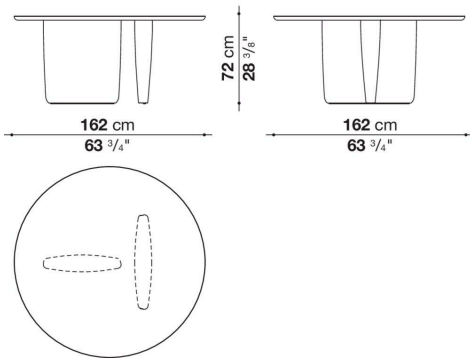
plastic material

Ferrules (T160M)

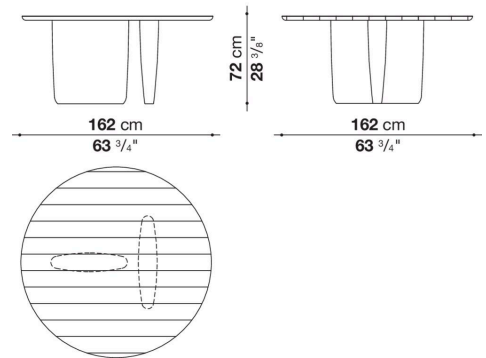
felt

Technical drawings

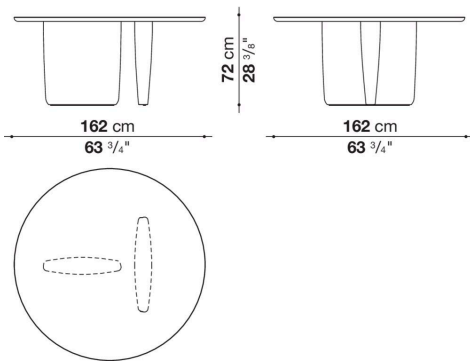
T160



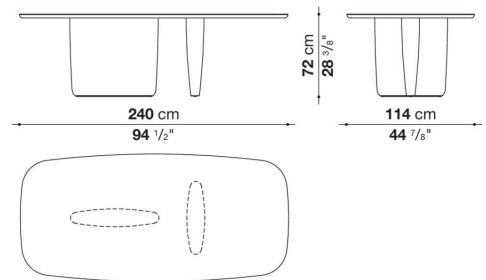
T160L



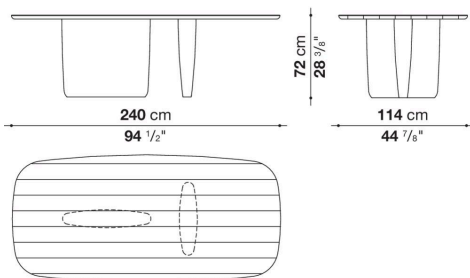
T160M



T240R



T240RL



T313RL

