

# Fat-Fat & Lady-Fat

Small tables

2004

Patricia Urquiola



## Description

Inspired by the once popular sand-filled ash trays. Hence the creation of service elements made of three variants to be used as convenient surface in various situations. The internal compartment can be used as a container by lifting the trays, while the external fabric and leather covers come in a wide range of colours.

# Technical information

---

**Internal frame**

thermoplastic material

**Internal frame upholstery**

flakes of polyurethane and PET, synthetic fibre cover

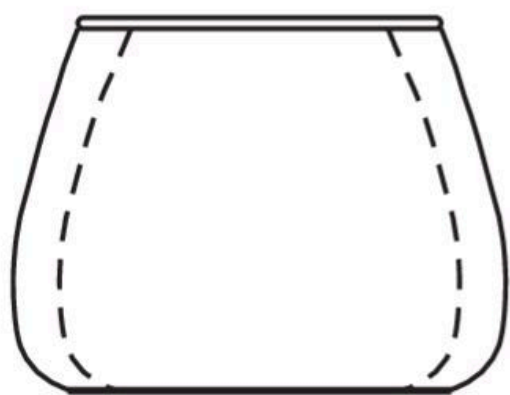
**Tray**

steel sheet

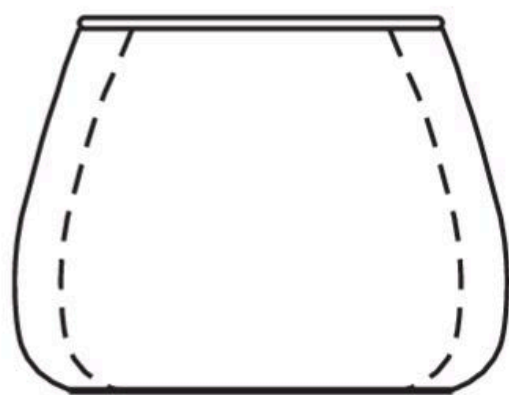
**Cover**

fabric or leather

# FF66



45 cm  
17 <sup>3</sup>/<sub>4</sub>"

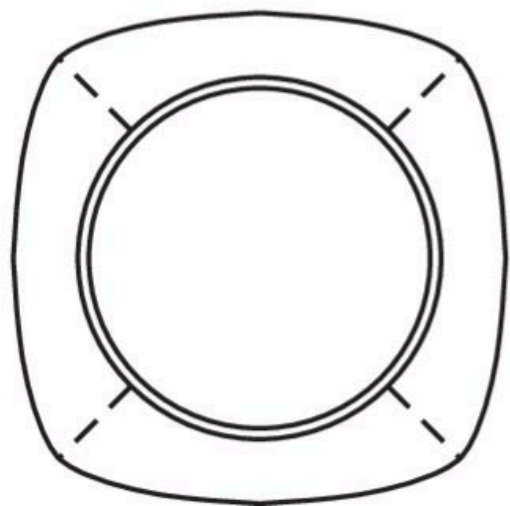


66 cm

26"

66 cm

26"



# FF86



35 cm  
13 <sup>3</sup>/<sub>4</sub>"

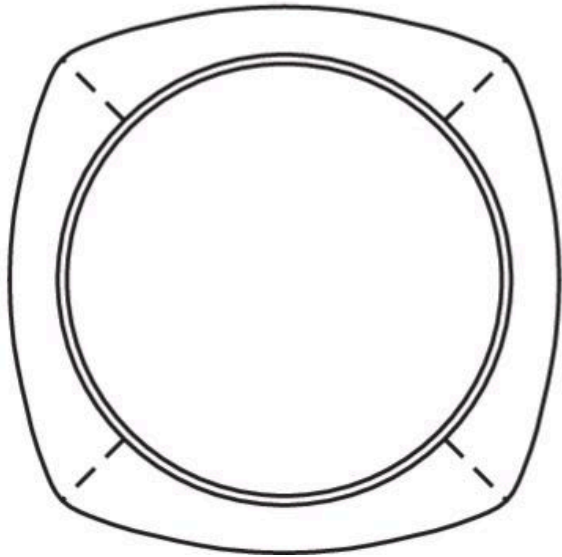


86 cm

33 <sup>7</sup>/<sub>8</sub>"

86 cm

33 <sup>7</sup>/<sub>8</sub>"



# LF116



30 cm  
11 3/4"



116 cm

45 5/8"

116 cm

45 5/8"

