

Siena

BEDS

2007

Naoto Fukasawa



Description

From the very first glance the Siena bed's airy image is striking with the projecting base that defines the entire perimeter of the bed and which, at the back, becomes a convenient surface to place books and accessories. The backrest is inclined to offer an ideal relaxing position. Impressive from behind, it can even be placed at the centre of the room.

Technical information

Internal frame

tubular steel and steel profiles

Internal frame upholstery

Bayfit® flexible cold shaped polyurethane foam, polyester fibre cover

Base-frame

tubular steel

Wheels support frame

steel

Slatted base

tubular steel and wood multi-layered slats

Ferrules

thermoplastic material

Wheels

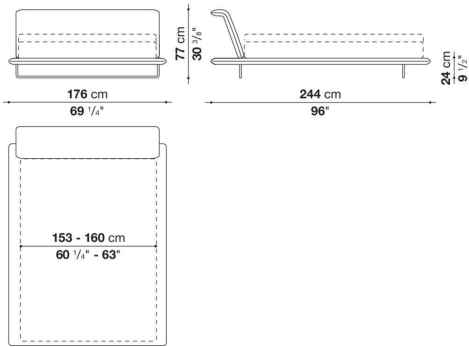
plastic material

Cover

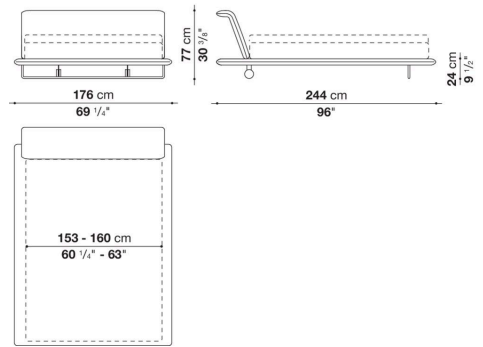
fabric or leather

Technical drawings

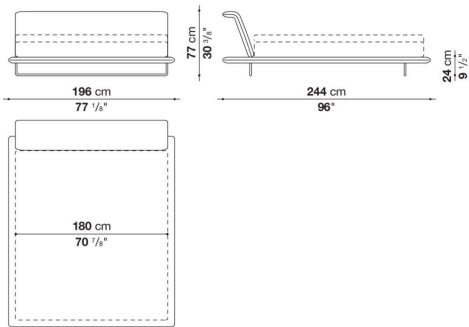
LSI176



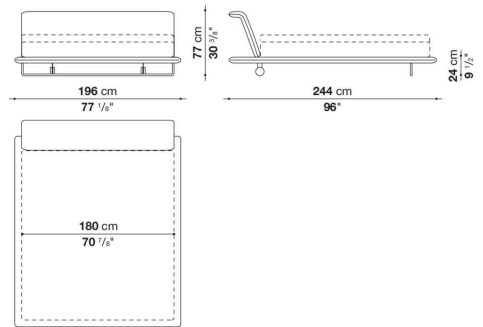
LSI176W



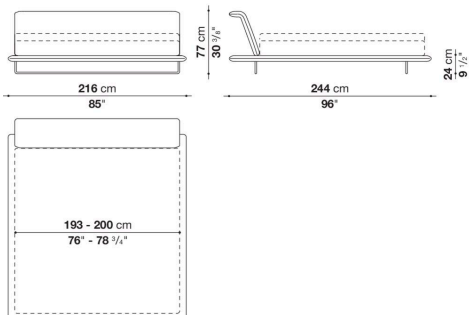
LSI196



LSI196W



LSI216



LSI216W

