

Papilio

Beds

2013

Naoto Fukasawa



Description

The single-material Papilio bed, available in five sizes, stands out for its continuous line and attractive proportions. Upholstered either in fabric or in leather, Papilio features the same clean lines as the armchairs of the same name, though with slightly less conical sides. The mattress is placed almost flush with the perimeter to enhance the overall sense of rigour.

Technical information

Internal frame

tubular steel and steel profiles

Internal frame upholstery

Bayfit® flexible cold shaped polyurethane foam, polyester fibre cover

Feet

steel and plastic material

Support crosspieces for slatted base

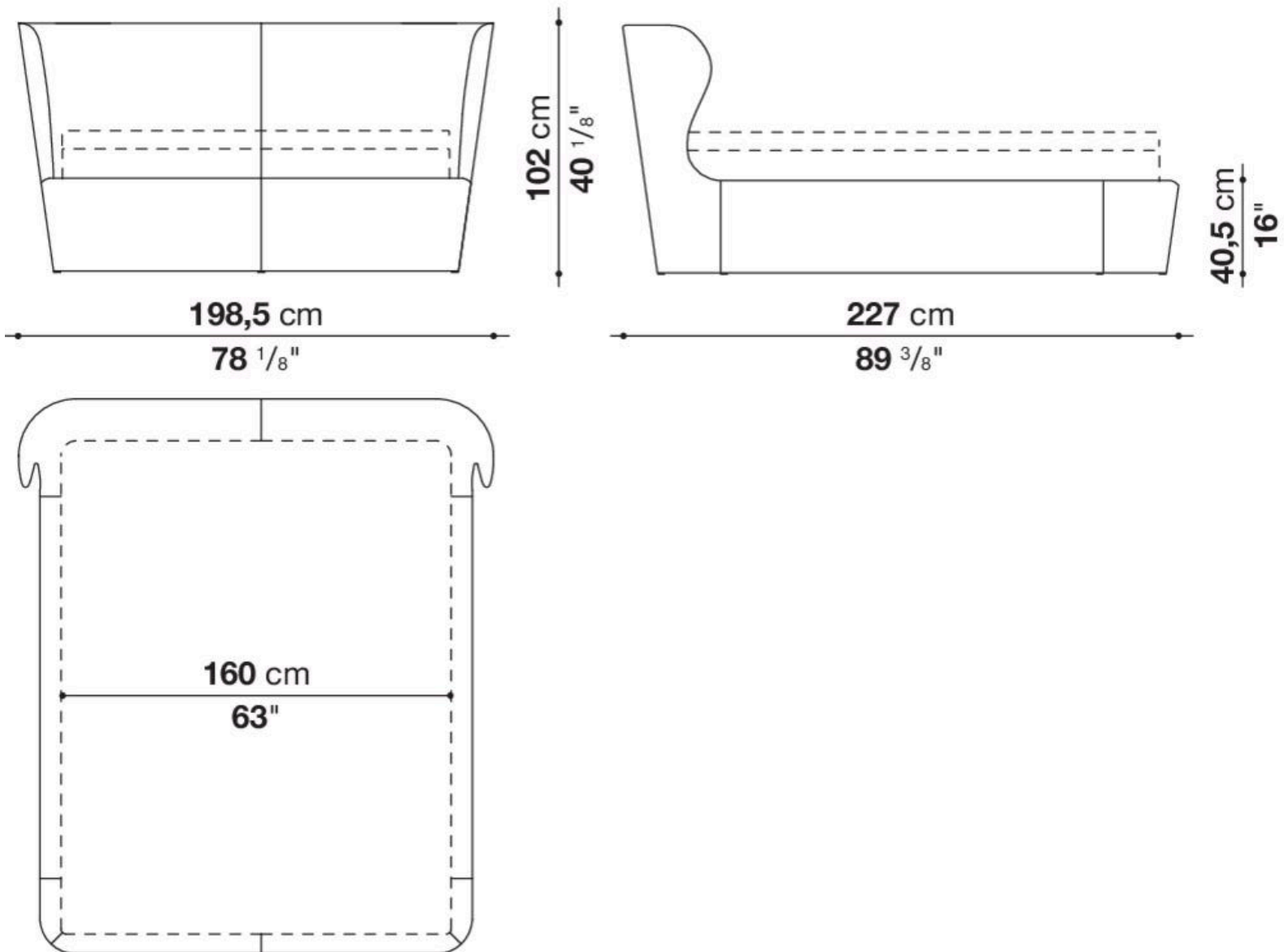
tubular steel

Cover

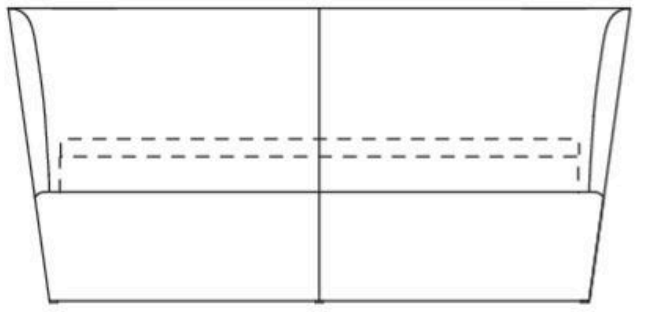
fabric or leather in limited categories

Technical drawings

LP160



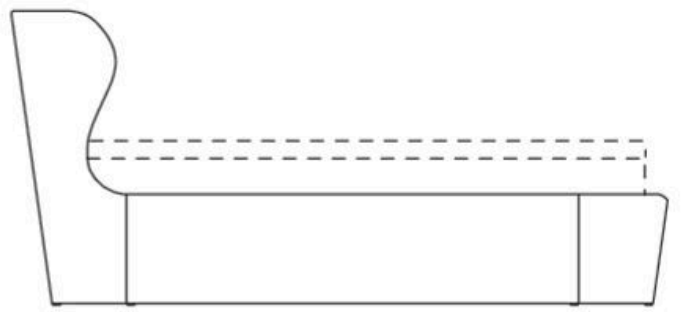
LP180



218,5 cm

86"

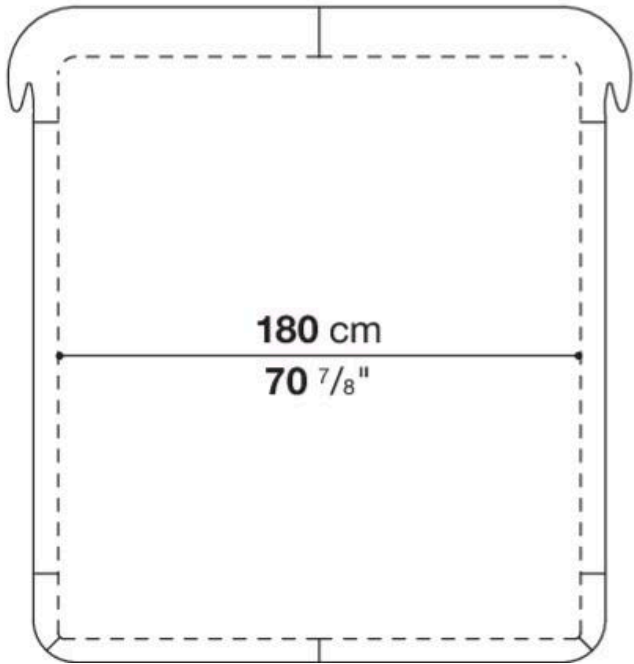
102 cm
40 1/8"



227 cm

89 3/8"

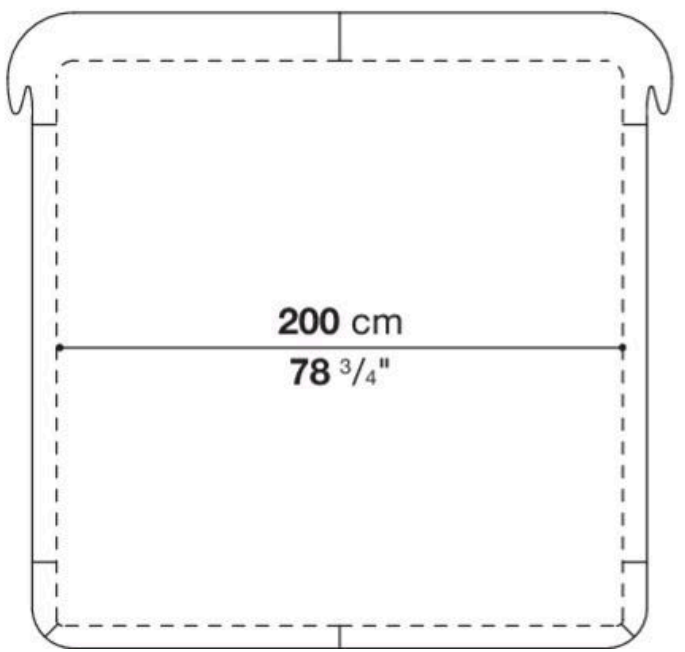
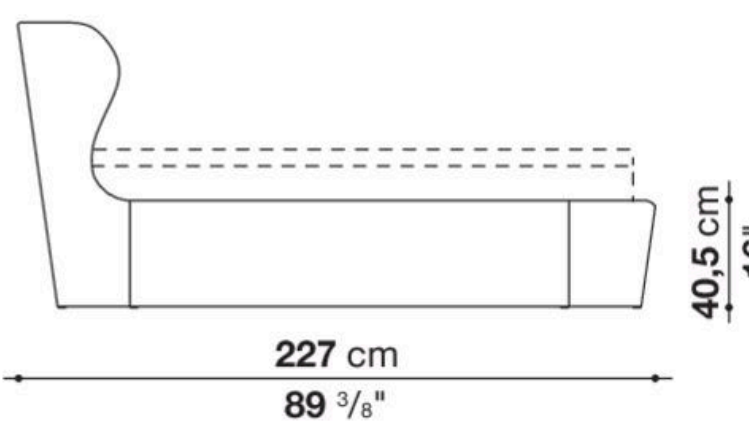
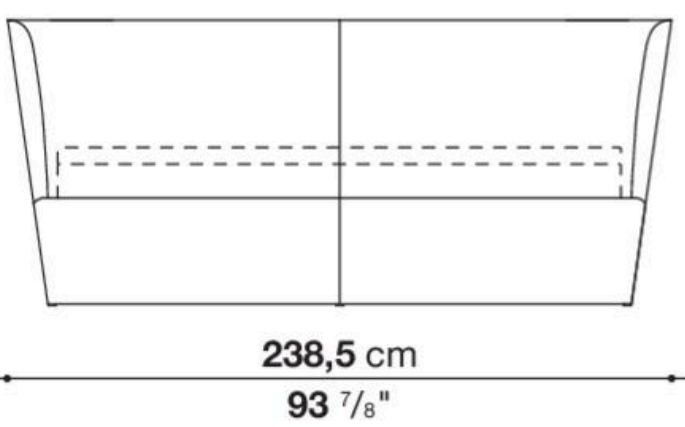
40,5 cm
16"



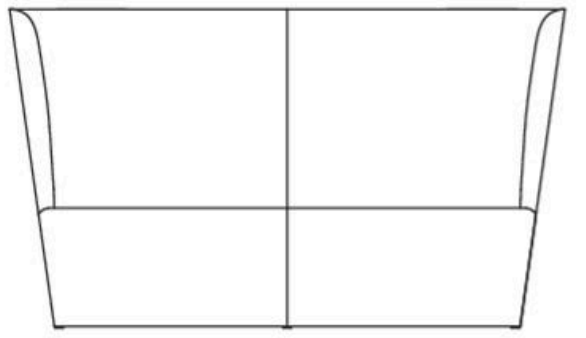
180 cm

70 7/8"

LP200

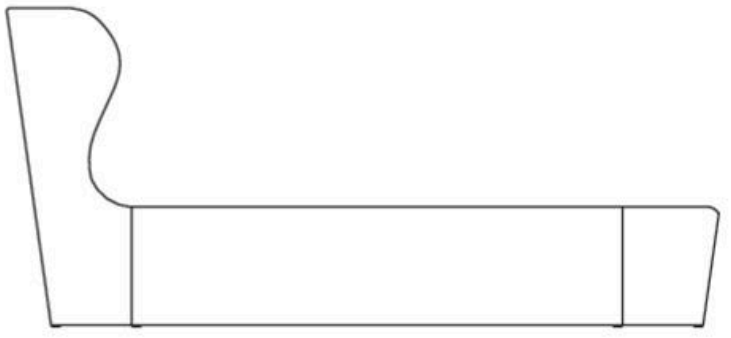


LP153



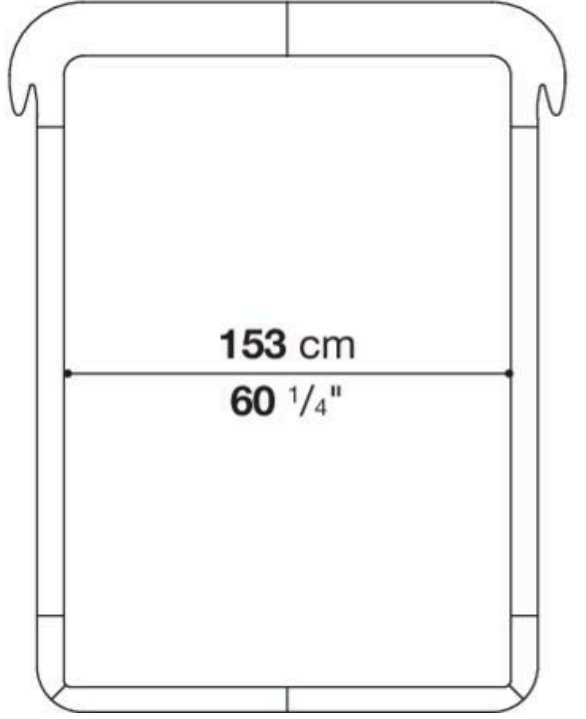
191,5 cm
75 3/8"

102 cm
40 1/8"



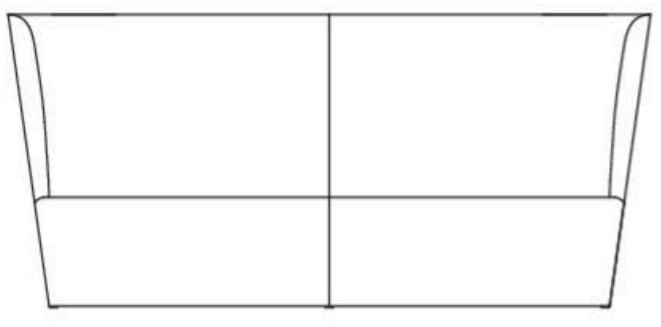
227 cm
89 3/8"

40,5 cm
16"



153 cm
60 1/4"

LP193

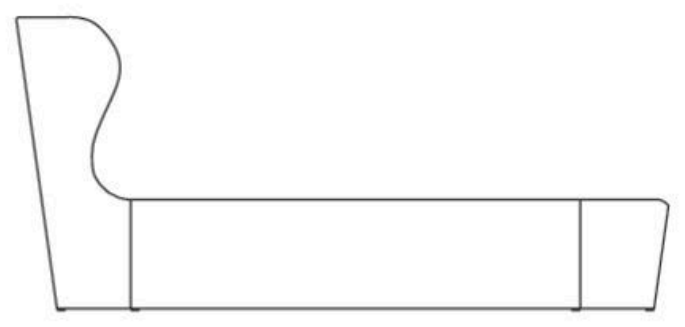


231,5 cm

91 1/8"

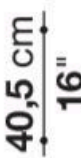


102 cm
40 1/8"

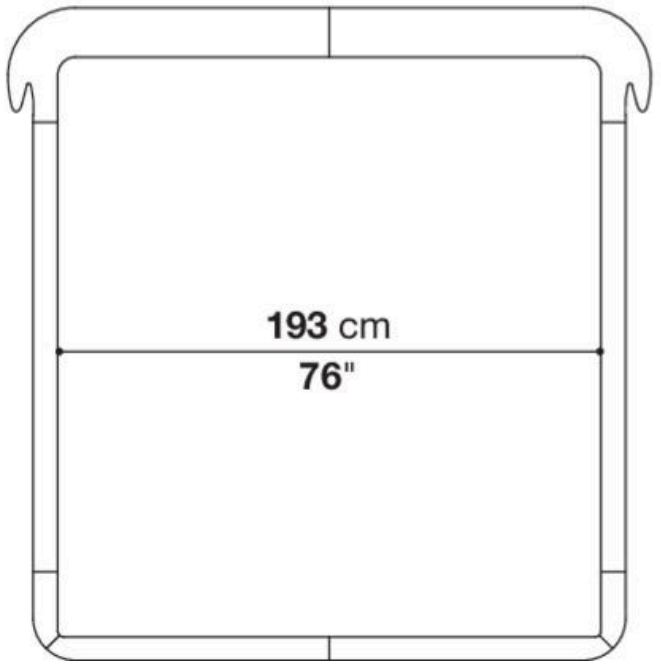


227 cm

89 3/8"



40,5 cm
16"



193 cm

76"