

Madison

COMPLEMENTS

2017

Monica Armani



Description

With oval round and rectangular bevelling in oversize dimensions, to be attached vertically or horizontally to the walls: the Madison mirrors create a play of reflections and light in the rooms. Special attention was dedicated to the design of the frame made in Baydur® (high density polyurethane).

Technical information

Frame

hard polyurethane

Panel

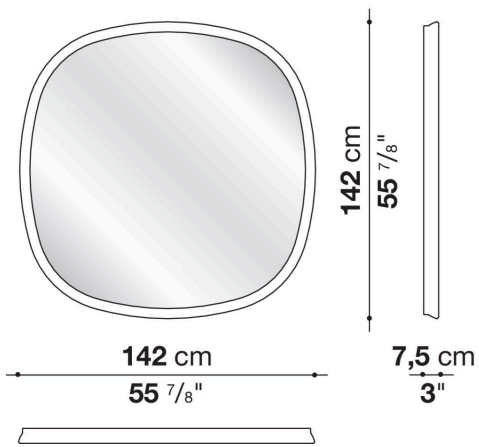
MDF wood fibre with mirror

Support

aluminium extrusions

Technical drawings

MS142Q



MS162

