

Erica

SMALL TABLES

2025

Antonio Citterio



Description

The Erica small tables, in three round sizes, combine powder-coated die-cast aluminum structures in five colors – anthracite, dove grey, olive bronze, aquamarine green, cream white – with slatted tops in natural teak or molten glass – a process that creates organic textures and irregularities on the surface for a distinct tactile effect - back-painted in jade green, emerald green and coral red.

Technical information

Frame

die-cast aluminium and extrusions with polyester powder painting

Top

solid wood or back-painted molten glass

Ferrules

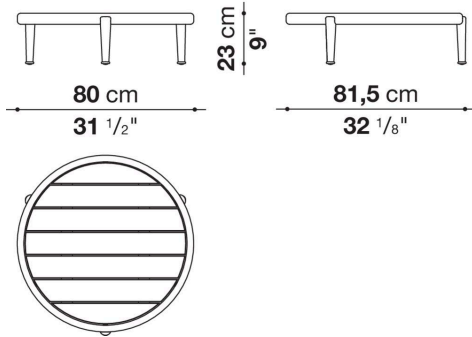
thermoplastic material

Waterproof cover cloth

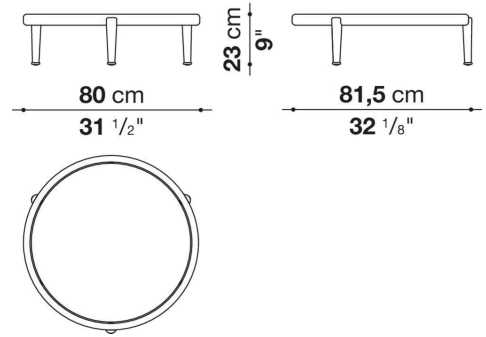
PES fabric coated on one side in PU

Technical drawings

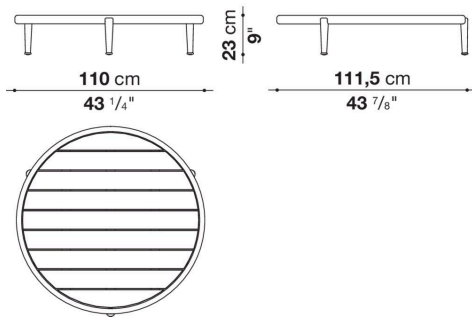
ER8TR



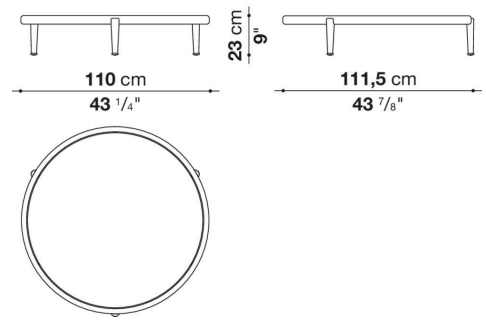
ER8TR_V



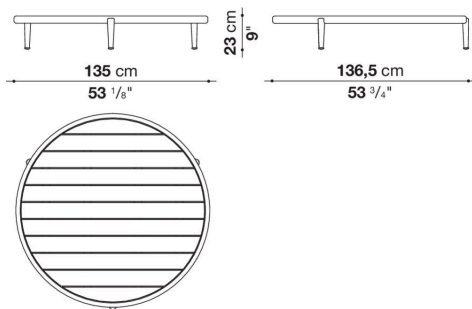
ER11TR



ER11TR_V



ER13TR



ER13TR_V

