

Erica

TABLES

2025

Antonio Citterio



Description

The Erica dining tables are offered in a rectangular version in two sizes and a round version in a single size. They combine powder-coated die-cast aluminium structures in five colours – anthracite, dove grey, olive bronze, aquamarine green, cream white – with slatted tops in natural teak or molten glass – a process that creates organic textures and irregularities on the surface for a distinct tactile effect – back-painted in colours jade green, emerald green and coral red.

Technical information

Frame

die-cast aluminium and extrusions with polyester powder painting

Top

solid wood or back-painted molten glass

Ferrules

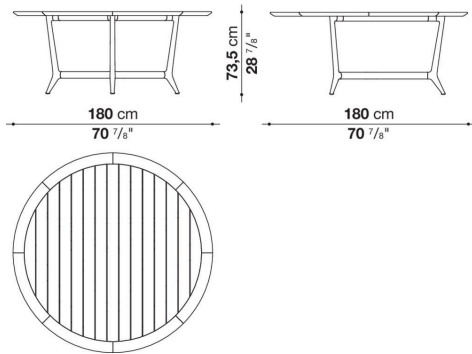
thermoplastic material

Waterproof cover cloth

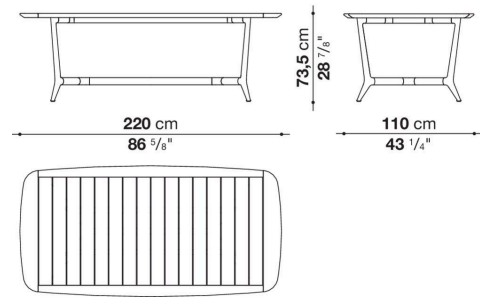
PES fabric coated on one side in PU

Technical drawings

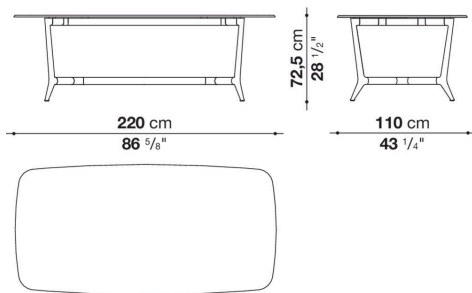
ER180TR



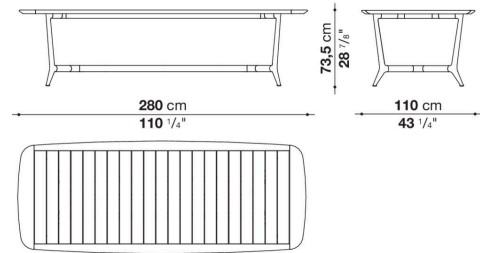
ER220T



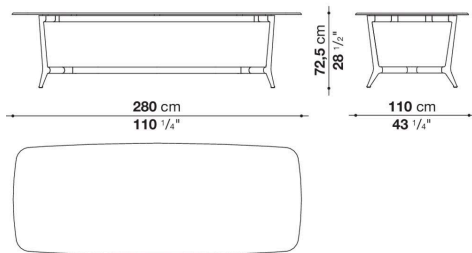
ER220T_V



ER280T



ER280T_V



ER504T

