

# Erica '25

CHAIRS

2025

Antonio Citterio



## Description

---

Designed with a technological blend of extruded and die-cast aluminium elements, the Erica chairs are offered in different versions, including a stackable one, and with two types of interlacing. The refined colour combinations include a wide range of finishes for the frames to match the different colours of the interlacing, made of polypropylene ribbons. The seat cushions, embellished with a decorative profile, guarantee comfortable relaxation. The lightness and the design make Erica '25 ideal for both public and residential settings.

## Technical information

---

**Frame**

die-cast aluminium and extrusions with polyester powder painting

**Back upholstery**

polyester fiber recycled from PET, cover in water repellent polyester fibre

**Seat upholstery**

shaped polyurethane, polyester fiber recycled from PET, cover in water repellent polyester fibre

**Seat webbing**

polypropylene fibre and synthetic rubber threads

**Interlacing**

polypropylene fibre braid

**Ferrules**

thermoplastic material

**Waterproof cover cloth**

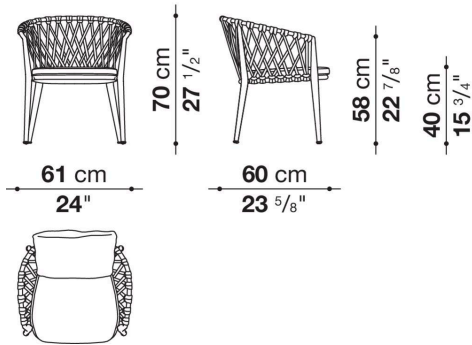
PES fabric coated on one side in PU

**Cover**

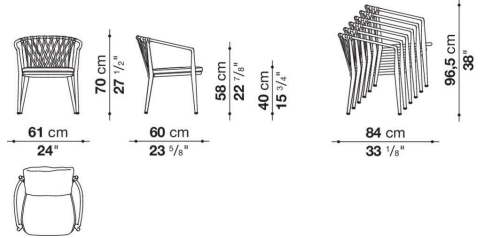
fabric in limited categories (with profile)

# Technical drawings

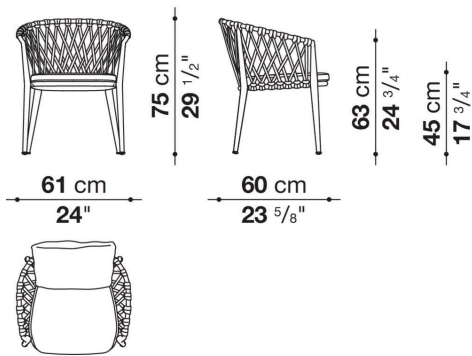
**ER61B**



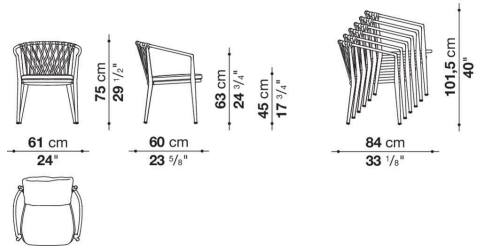
**ER61B\_I**



**ER61A**



**ER61A\_I**



**ER61\_I**

