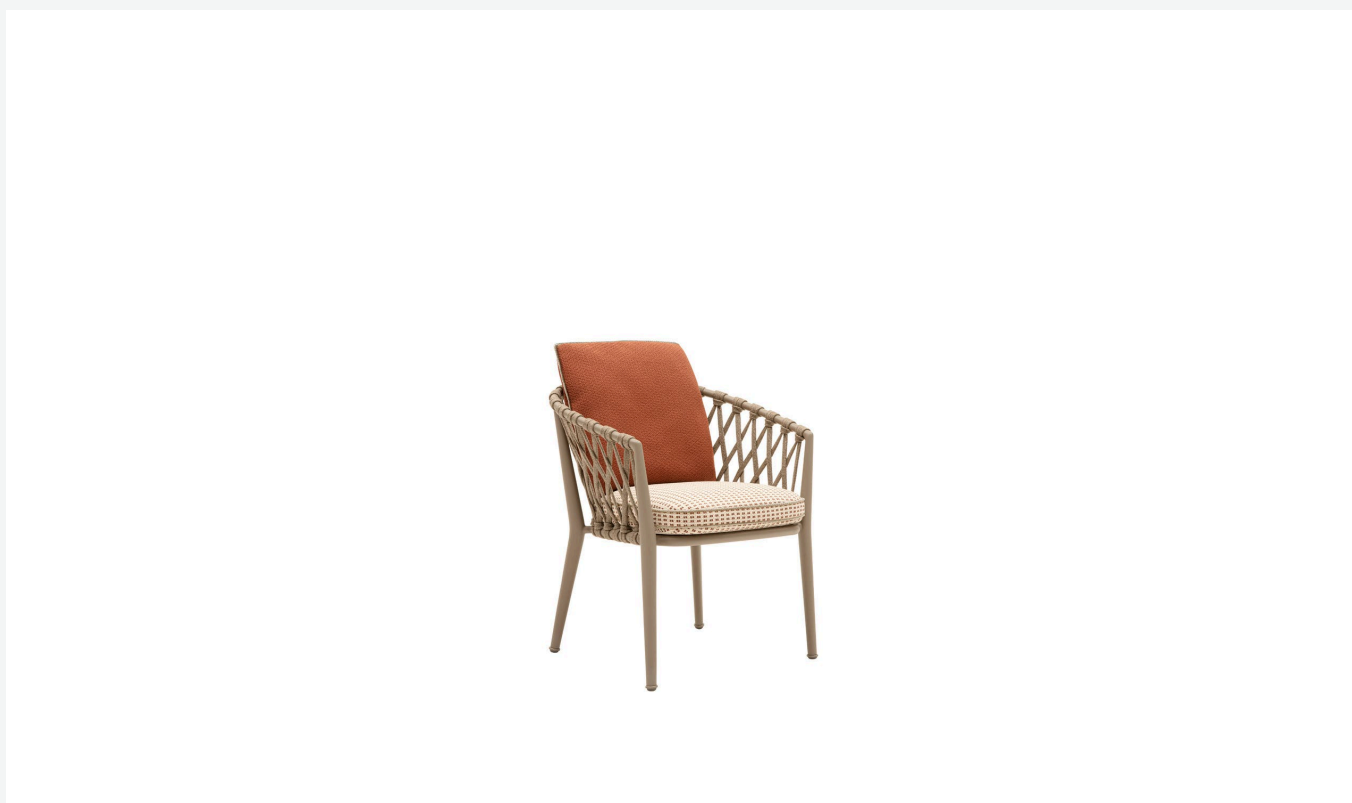


Erica

CHAIRS

2025

Antonio Citterio



Description

Designed with a technological blend of extruded and die-cast aluminium elements, the Erica chairs are offered in different versions, including a stackable one, and with two types of interlacing. The refined colour combinations include a wide range of finishes for the frames to match the different colours of the interlacing, made of polypropylene ribbons. The seat cushions, embellished with a decorative profile, guarantee comfortable relaxation. The lightness and the design make Erica ideal for both public and residential settings.

Technical information

Frame

die-cast aluminium and extrusions with polyester powder painting

Back upholstery

polyester fiber recycled from PET, cover in water repellent polyester fibre

Seat upholstery

shaped polyurethane, polyester fiber recycled from PET, cover in water repellent polyester fibre

Seat webbing

polypropylene fibre and synthetic rubber threads

Interlacing

polypropylene fibre braid

Ferrules

thermoplastic material

Waterproof cover cloth

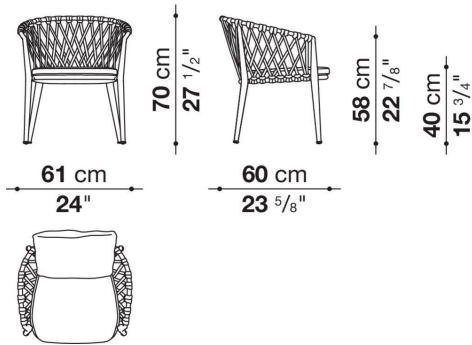
PES fabric coated on one side in PU

Cover

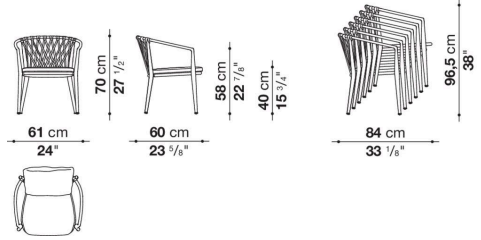
fabric in limited categories (with profile)

Technical drawings

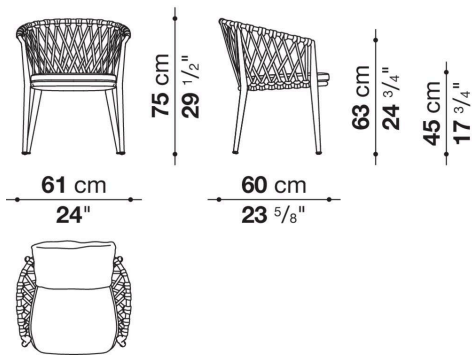
ER61B



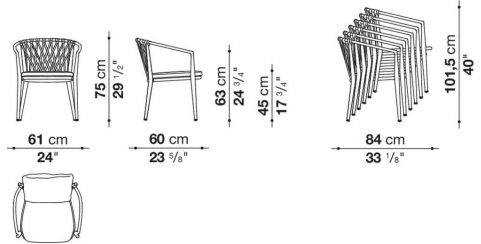
ER61B_I



ER61A



ER61A_I



ER61_I

