

---

# Erica modular

SOFAS

2025

Antonio Citterio



## Description

---

Sophisticated design and versatility come together in the Erica '25 seating system in the modular version, a proposal that adapts perfectly to different needs and spaces, offering high design freedom. Central, terminal and corner elements in different sizes allow to interpret the outdoor space in a very personal way thanks to the system flexibility and the wide range of finishings offered for the frames and the interlacing, complemented by a vast range of covers, in an array of tones and designs, all co-ordinating with each other. The modular version incorporates the characteristic elements of the entire Erica '25 series: the powder-coated die-cast aluminium frame which offer lightness and durability, the interlacing made of polypropylene ribbons designed for outdoor use, and the foot design which provides a sense of visual and formal continuity. The seat cushions upholstery, embellished with a decorative profile, grants an appearance of natural softness making them particularly inviting. The lightness and refined design make Erica '25 ideal for both public and residential settings, delivering ergonomic comfort together with strength for outdoor use.

# Technical information

---

**Frame**

die-cast aluminium and extrusions with polyester powder painting

**Back upholstery**

polyester fiber recycled from PET, cover in water repellent polyester fibre

**Seat upholstery**

shaped polyurethane, polyester fiber recycled from PET, cover in water repellent polyester fibre

**Seat slats**

polypropylene and glass fibre

**Interlacing**

polypropylene fibre braid

**Ferrules**

thermoplastic material

**Waterproof cover cloth**

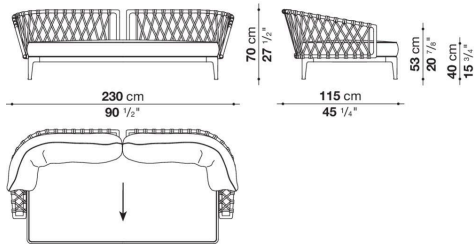
PES fabric coated on one side in PU

**Cover**

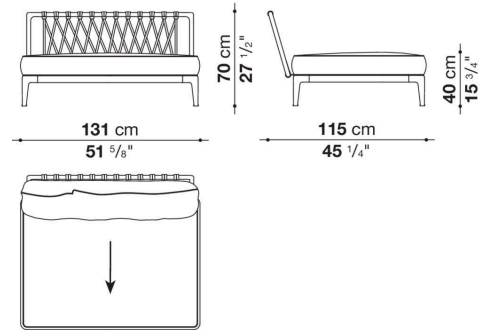
fabric in limited categories (with profile)

# Technical drawings

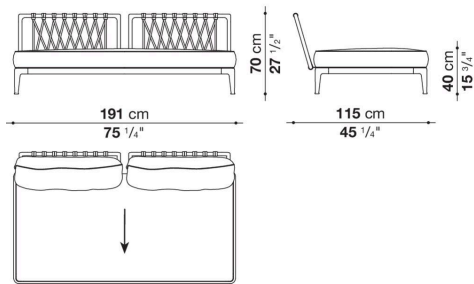
**CE230**



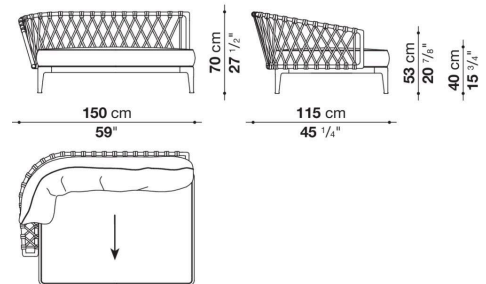
**CE131C**



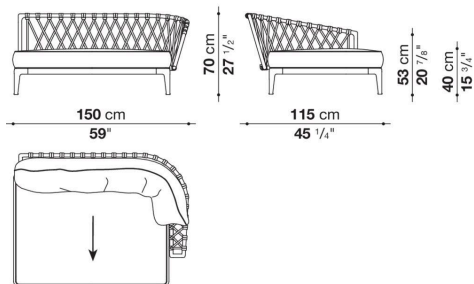
**CE191C**



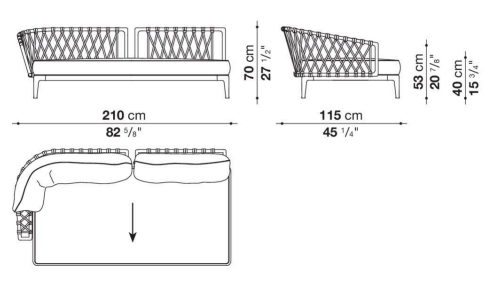
**CE150S**



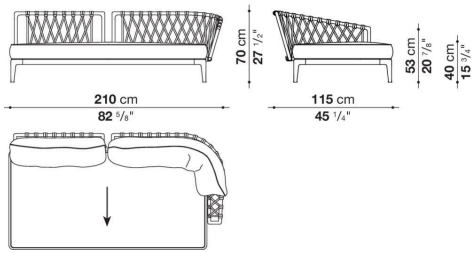
**CE150D**



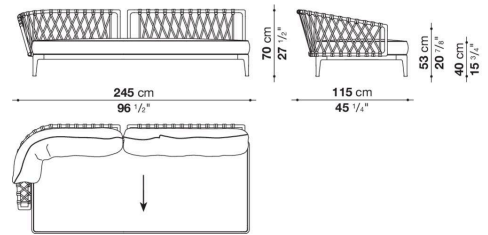
**CE210S**



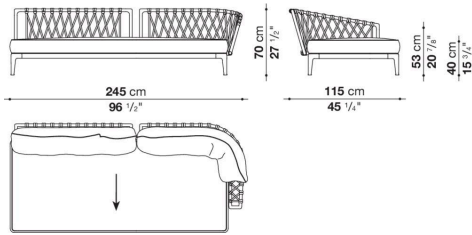
**CE210D**



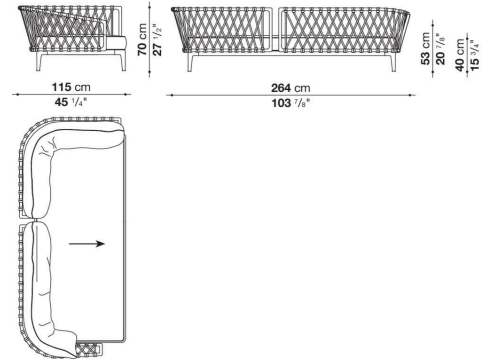
**CE245S**



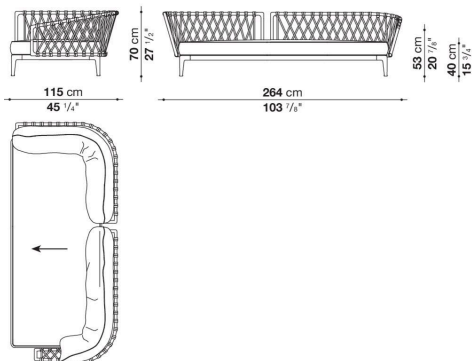
**CE245D**



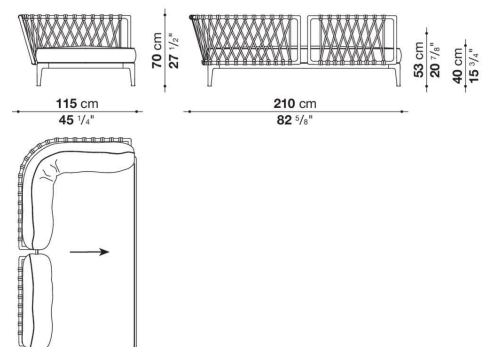
**CE264TAS**



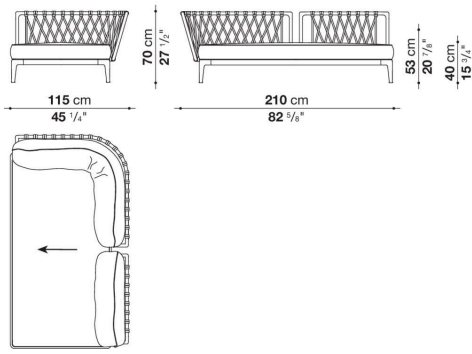
**CE264TAD**



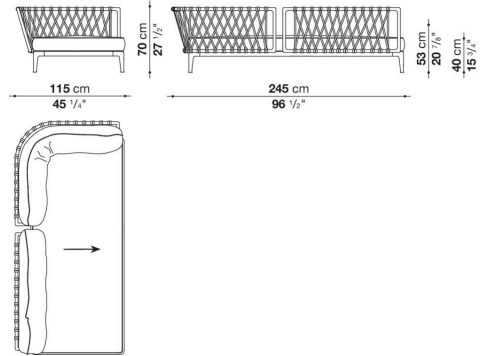
**CE210AS**



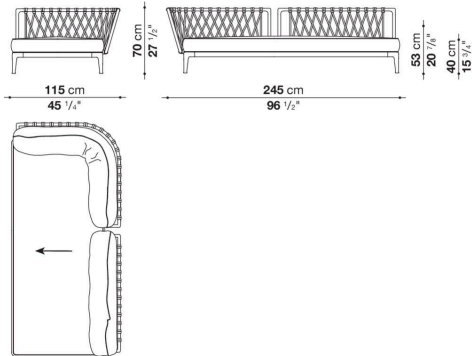
**CE210AD**



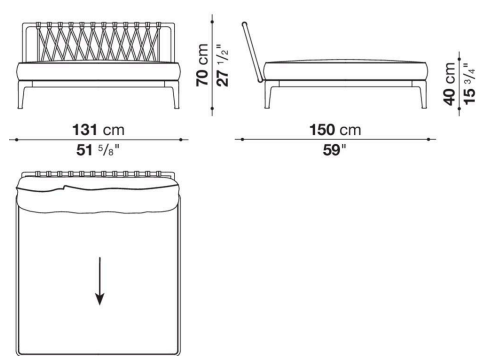
**CE245AS**



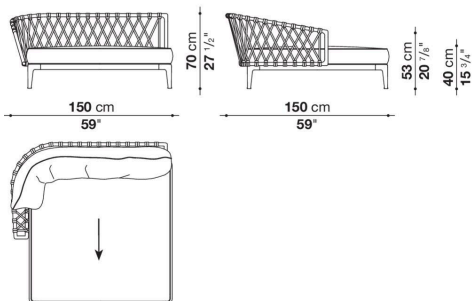
**CE245AD**



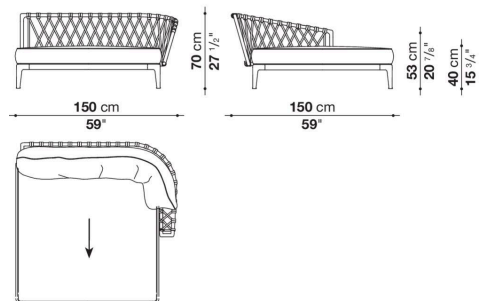
**CE150L**



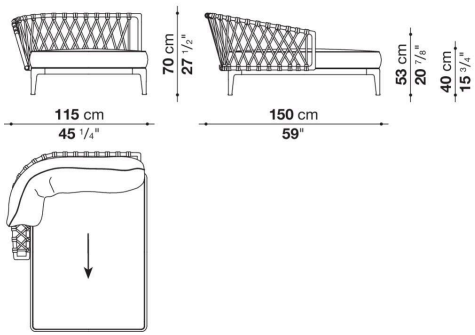
**CE150LS\_1**



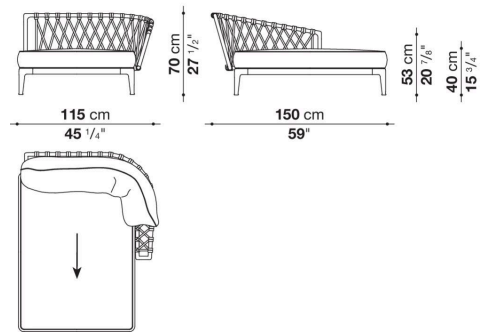
**CE150LD\_1**



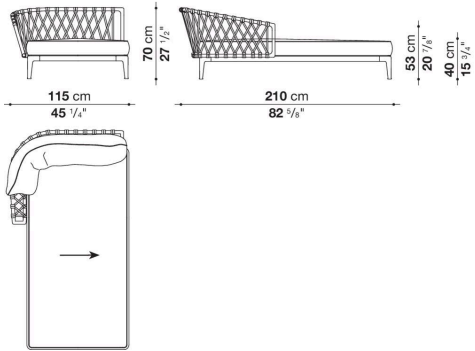
**CE150LS\_2**



**CE150LD\_2**



**CE210LS**



**CE210LD**

