

Sina

SMALL TABLES

2006

Uwe Fischer



Description

Harmonious and understated, the Sina small tables have a four-spoke frame in aluminium combined with a top in laminate or with an wood veneer in different finishes. They adapt with ease to a variety of uses, both in the home and in the contract furniture industry.

Technical information

Top

solid core HPL stratified laminate or multi-layered wood panel, multi-laminate surface

Support frame

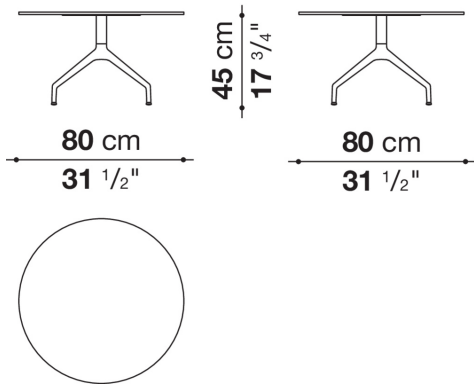
die-cast aluminium and extrusions

Ferrules

thermoplastic material

Technical drawings

ST0804R



ST0805R

