

# Ginestra

Tables

2017

Antonio Citterio



## Description

Ginestra is a collection of large rectangular and round outdoor dining tables. Made of natural solid teakwood, the tops are enriched by a central porcelain stoneware insert reminiscent of Calacatta white marble.

## Technical information

**Frame and top**

solid wood

**Top section**

porcelain stoneware

**Ferrules**

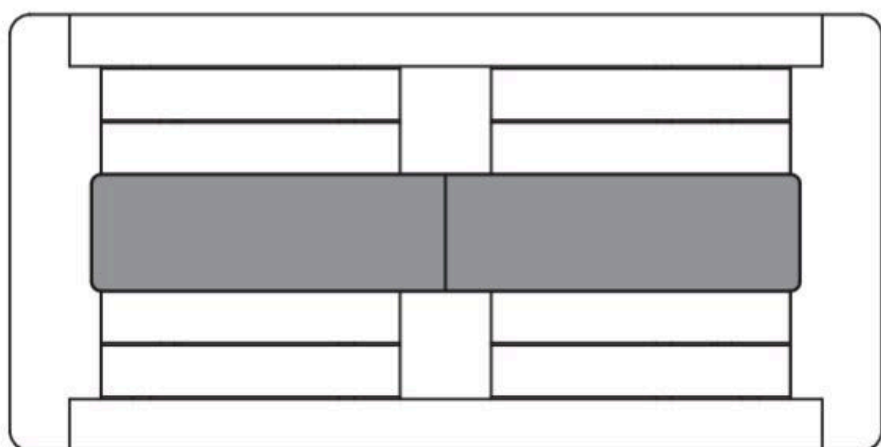
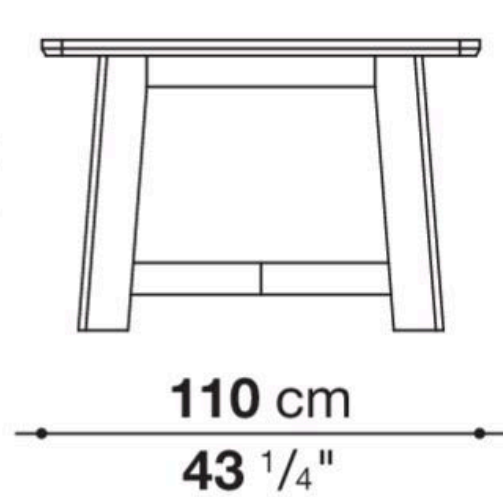
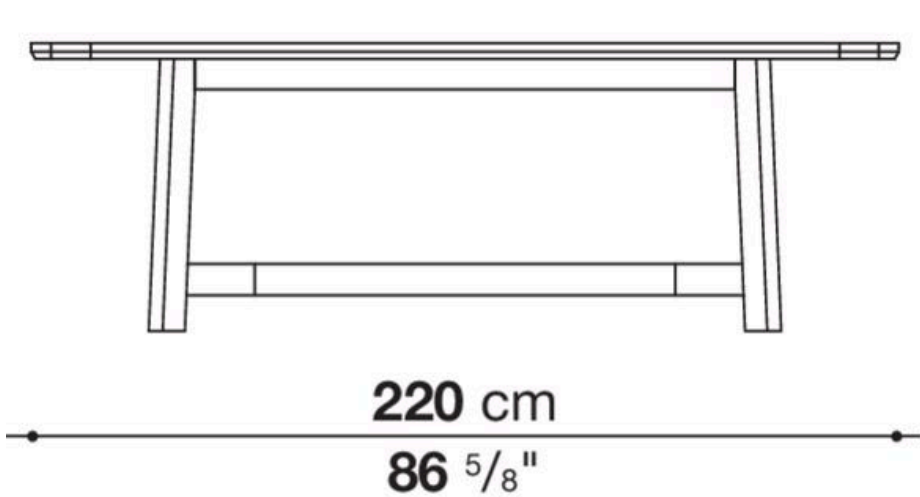
thermoplastic material

**Waterproof cover cloth**

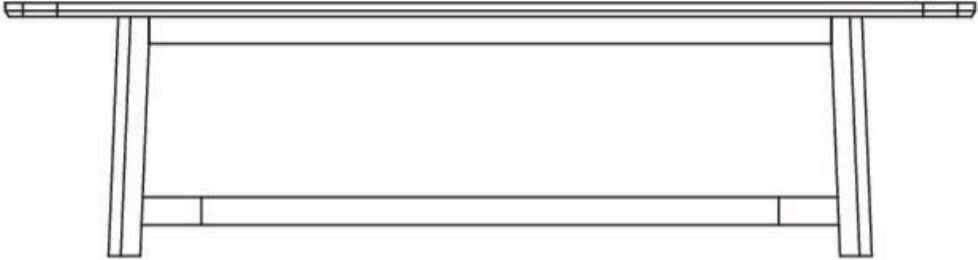
PES fabric coated on one side in PU

# Technical drawings

## GN220T

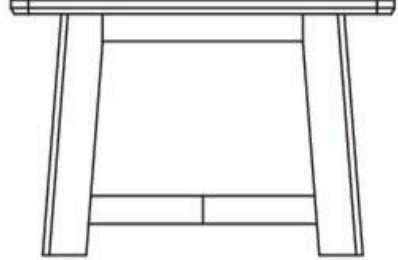


# GN280T

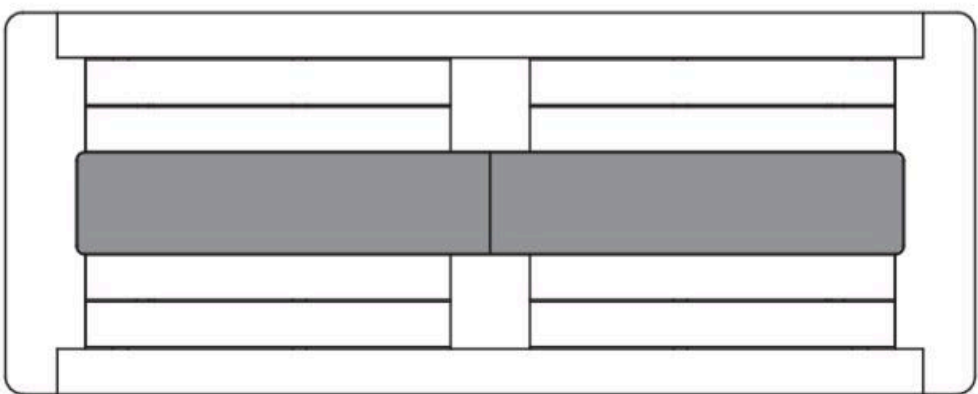


**280 cm**  
**110 1/4"**

**73,5 cm**  
**28 7/8"**



**110 cm**  
**43 1/4"**



# GN180TR

