

Cosmos Outdoor

TABLES

2019

Jeffrey Bernett



Description

This collection includes harmonious tables, which can be used in pairs or groups of three due to their compact size. They adapt easily to different environments in contract furnishing schemes and on terraces and residential balconies with moderate sizes.

Technical information

Frame

aluminium

Top

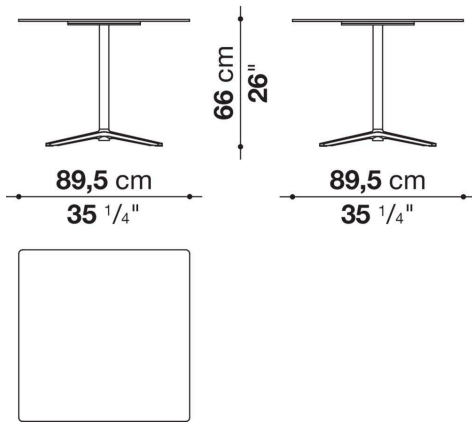
porcelain stoneware

Ferrules

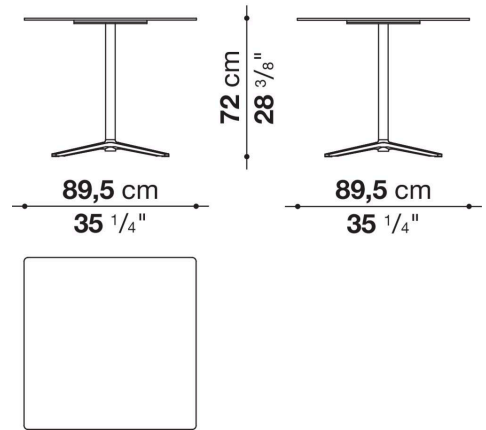
plastic material

Technical drawings

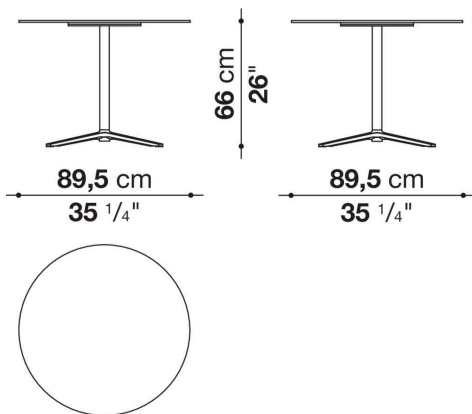
OTC90Q_2



OTC90Q_1



OTC90R_2



OTC90R_1

