

Bay

Armchairs

2018

Nipa Doshi & Jonathan Levien



Description

Bay is a sculptural, monolithic collection of braided outdoor furnishings. Enveloping braided volumes are combined with padded rock-like seats and soft cushions that reflect the elegance, comfort and refinement of B&B Italia's indoor products. Sensually shaped, their double braiding creates air pockets that grant transparency and lightness to the collection.

Technical information

Internal frame

tubular steel and steel profiles

Back frame

aluminium

Upholstery

Bayfit® flexible cold shaped polyurethane foam, water repellent polyester fibre cover (with heat-sealed ribbon)

Back cushion

Solotex fibre and visco-elastic polyurethane combination, cover in water repellent polyester fibre

Interlacing

polypropylene fibre braid

Feet and ferrules

thermoplastic material

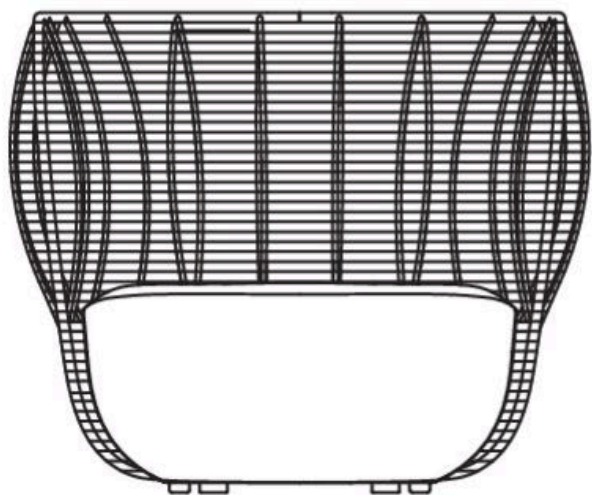
Waterproof cover cloth

PES fabric coated on one side in PU

Cover

fabric in limited categories

BY118B

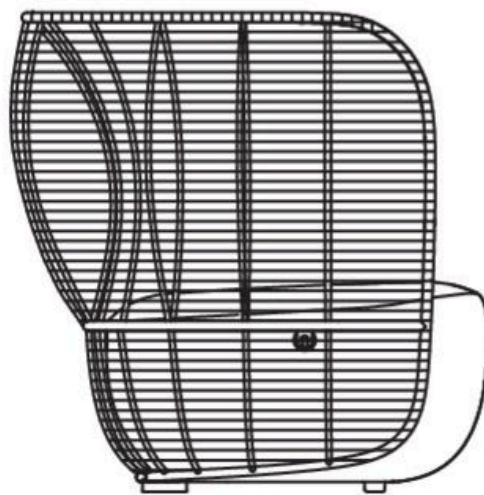


118 cm

46 1/2"

97 cm

38 1/4"

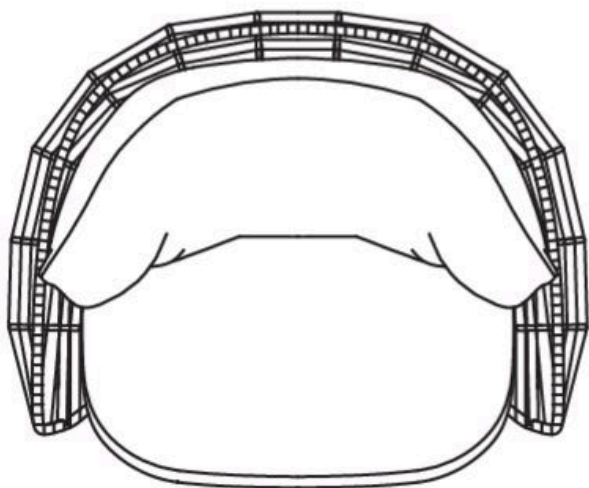


96,5 cm

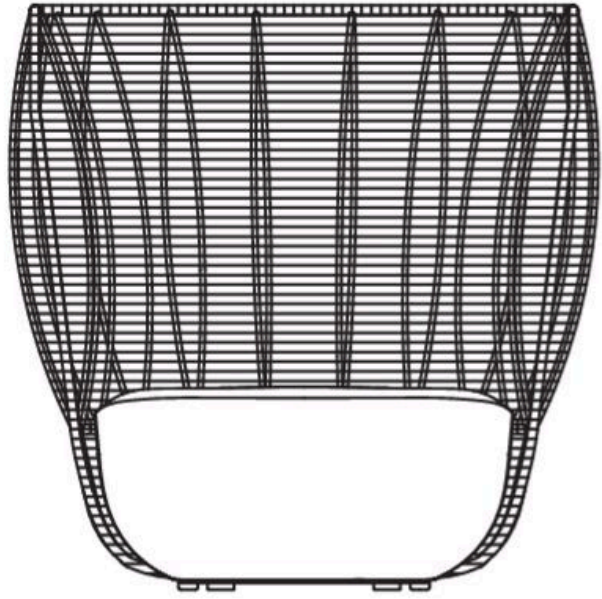
38"

42,5 cm

16 3/4"



BY123A

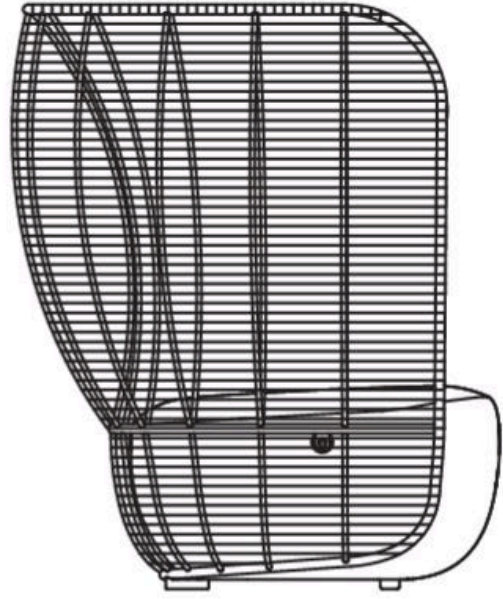


123 cm

48 ³/₈"

122 cm

48"

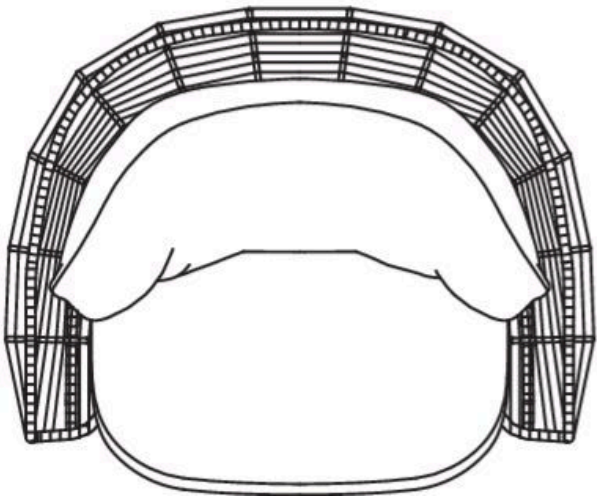


102 cm

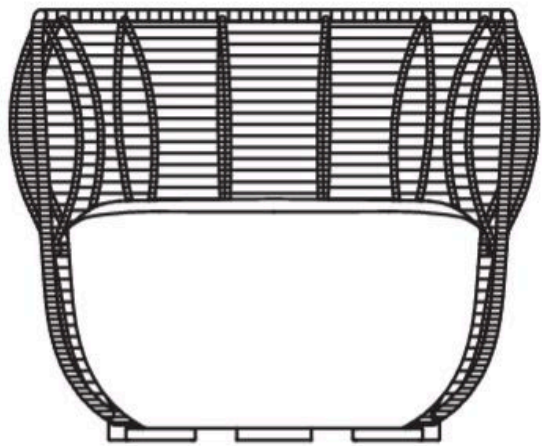
40 ¹/₈"

42,5 cm

16 ³/₄"



BY94N

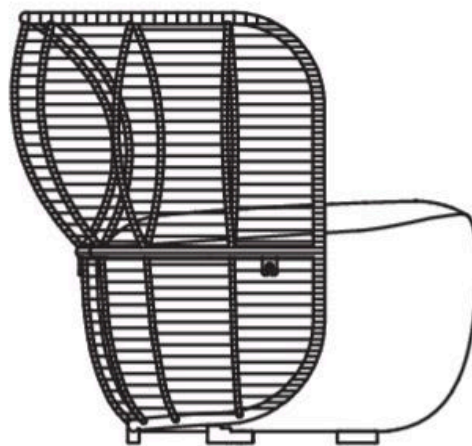


92,5 cm

36 ³/₈"

75 cm

29 ¹/₂"



82 cm

32 ¹/₄"

42,5 cm

16 ³/₄"

