

Canasta '13

SMALL TABLES

2013

Patricia Urquiola



Description

The Canasta '13 small tables for outdoor use complement the family of seats of the same name, and yet are so flexible as to suit any setting where a table is needed. They come in two versions: the first, a decorative model with soft shapes, features a frame characterised by coloured twisted polyethylene fibre bands and a tray top in painted steel; the second, more minimalist and geometric, has a powder-painted steel frame and a porcelain stoneware top.

Technical information

Frame

steel with polyester powder painting

Top

tiles in porcelain stoneware

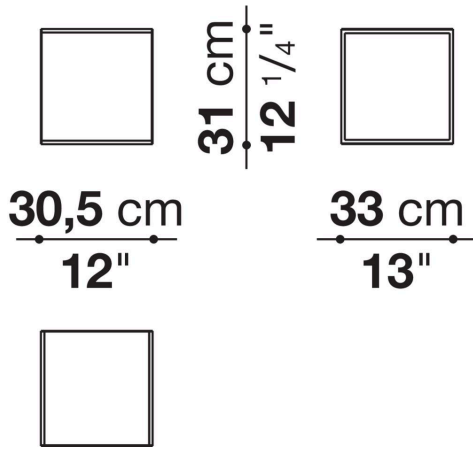
Service element tray (PCNC60-PCNC80-PCNC110)

steel sheet with polyester powder painting

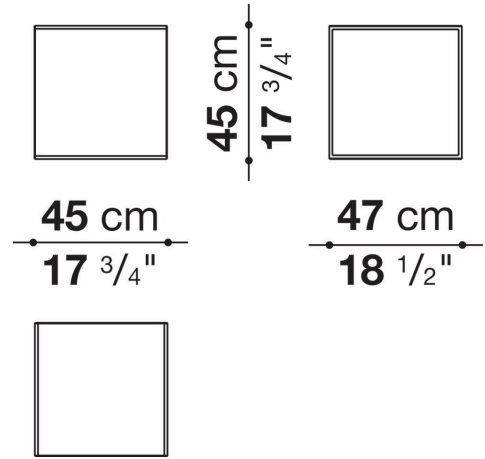
Ferrules

thermoplastic material

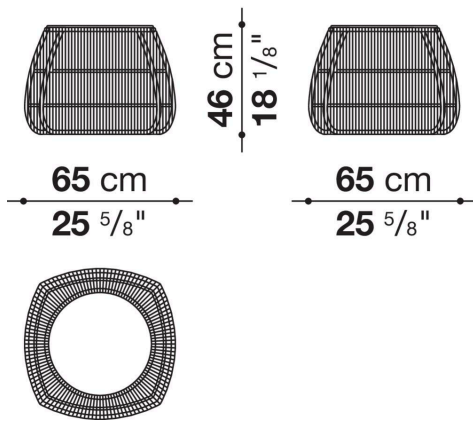
TCNC3



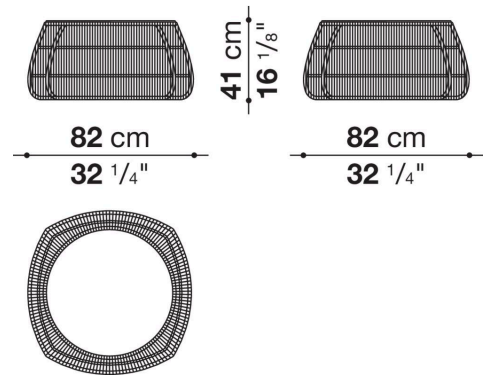
TCNC4



PCNC60



PCNC80



PCNC110

