

Cloud

Sofas

2006

Naoto Fukasawa



Description

Minimalism and basic lines mark long upholstered benches, with or without back, which convey a sense of comfort and weightlessness. The back, which look small in comparison to the seat, ends with a short fold-back part at the top on which to rest the arms comfortably while seated. A curved joint shaped like a quarter-circle enables to combine benches of different sizes, with or without backs, to create seats of various lengths and shapes, producing original landscapes in public areas. In addition, an elegant wooden board can be placed on the seat to act as a top or service element.

Technical information

Internal frame

tubular steel and steel profiles

Internal frame upholstery

Bayfit® flexible cold shaped polyurethane foam, polyester fibre cover

Support frame

tubular steel

Ferrules

thermoplastic material

Cover

fabric or leather in limited categories

Small table (CLO40T)

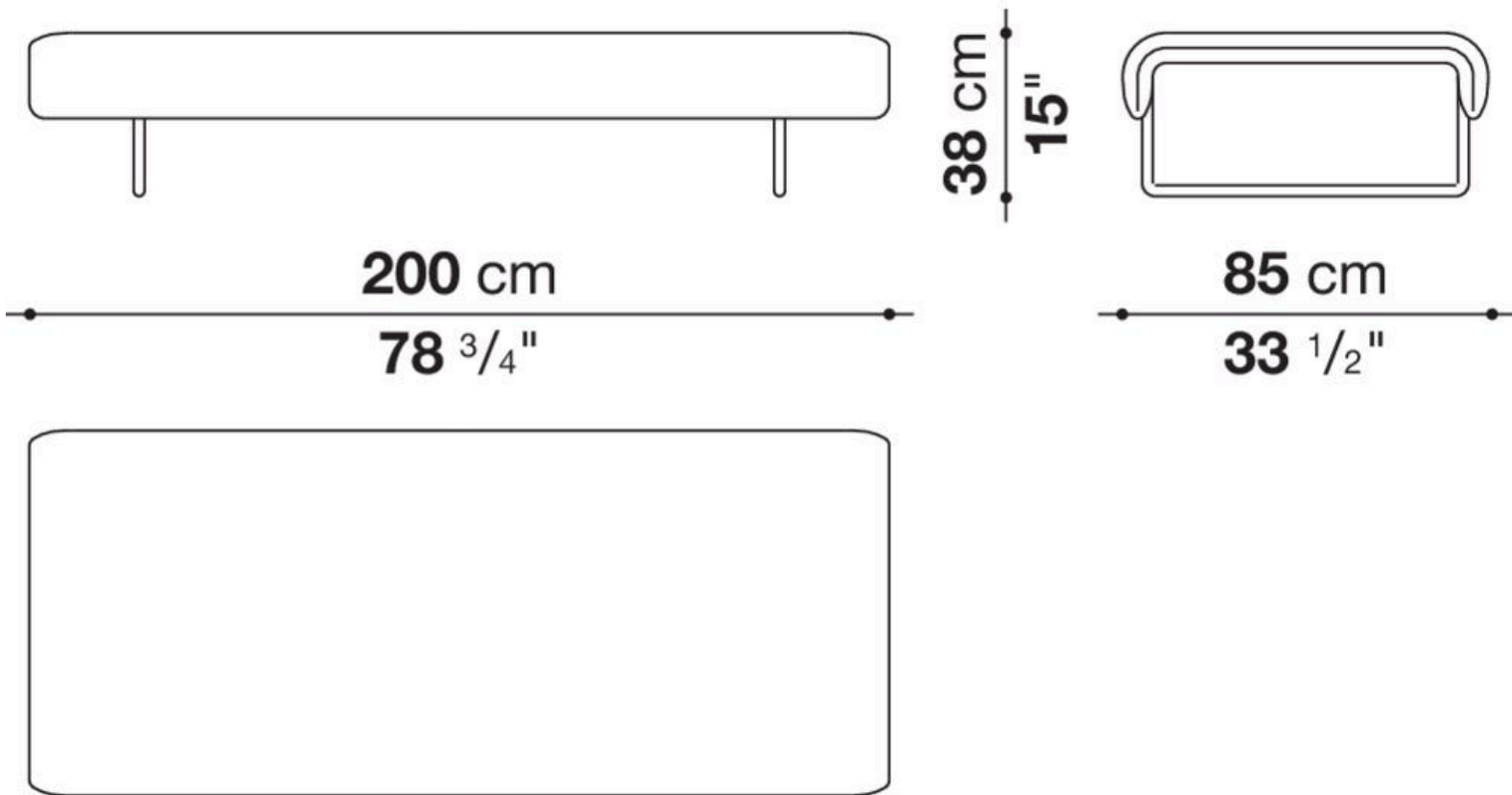
multi-layered wood panel, multi-laminate surface

Set of hooks (CLO)

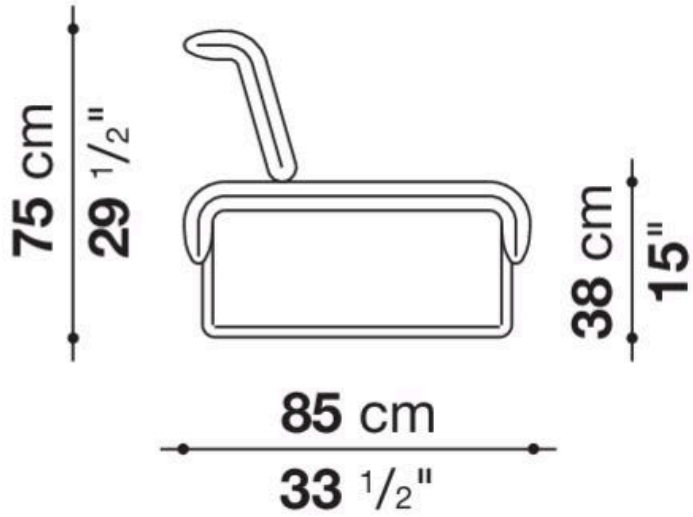
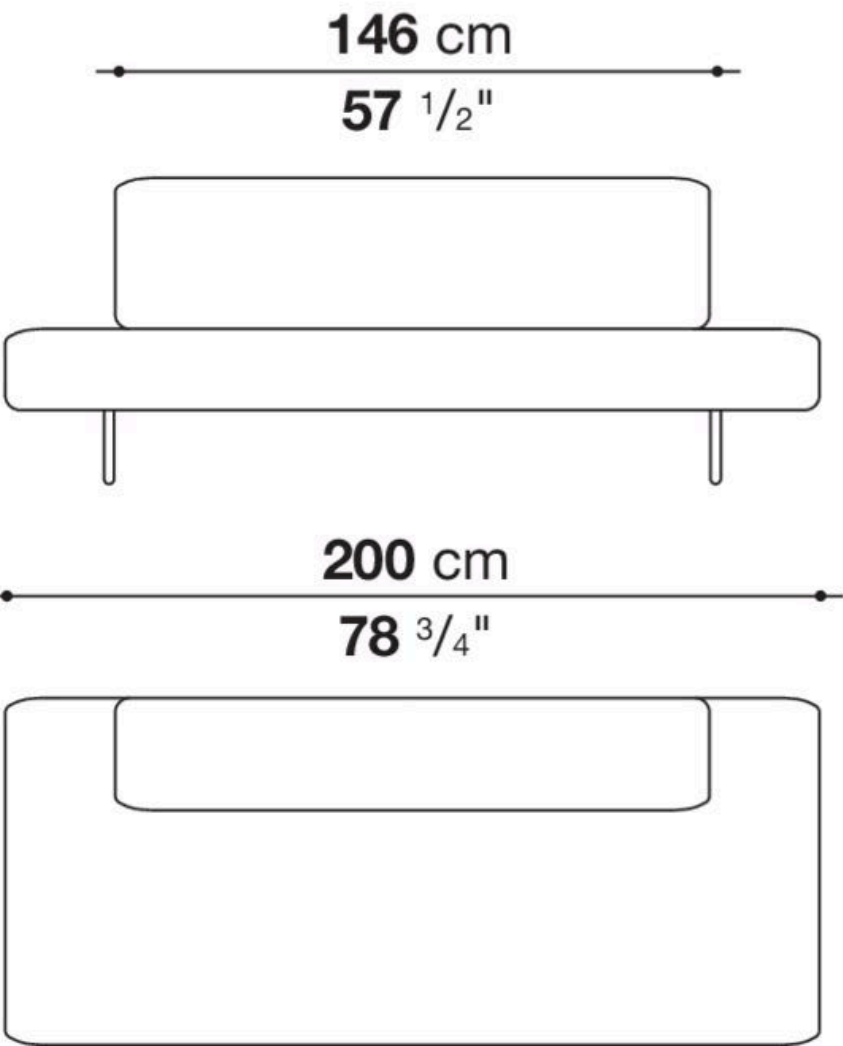
aluminium

Technical drawings

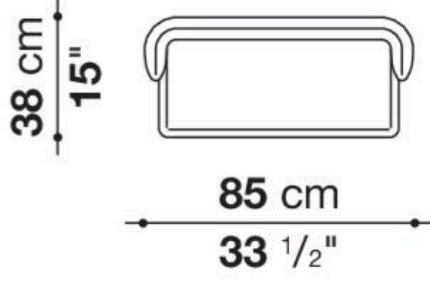
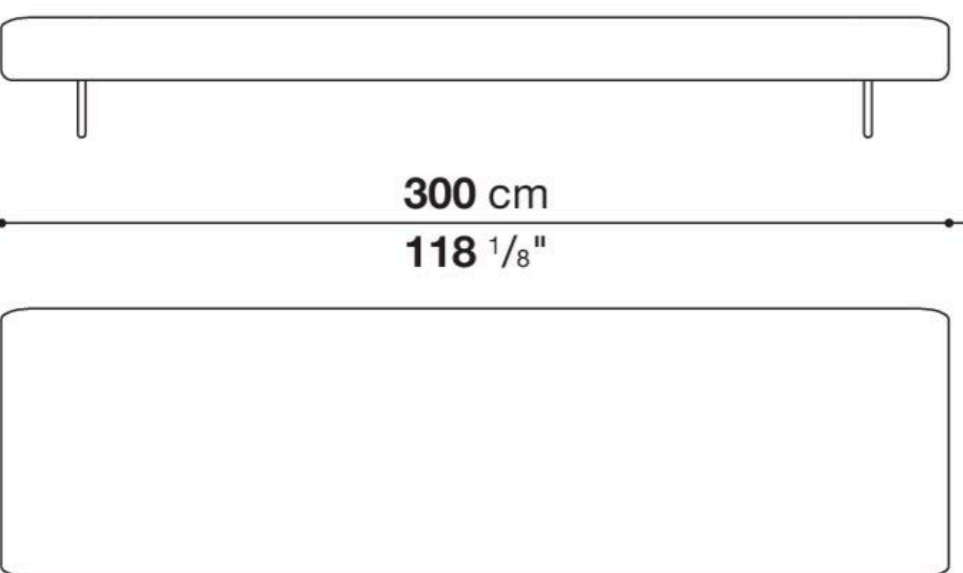
CLO200



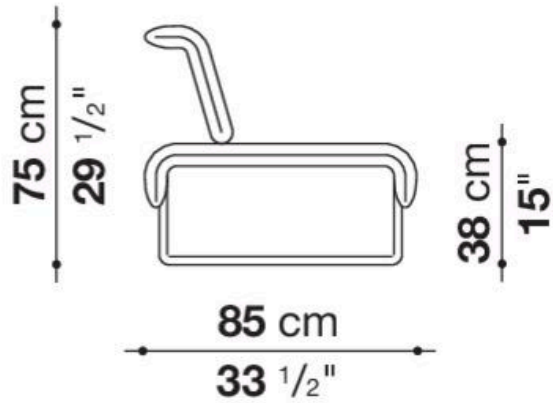
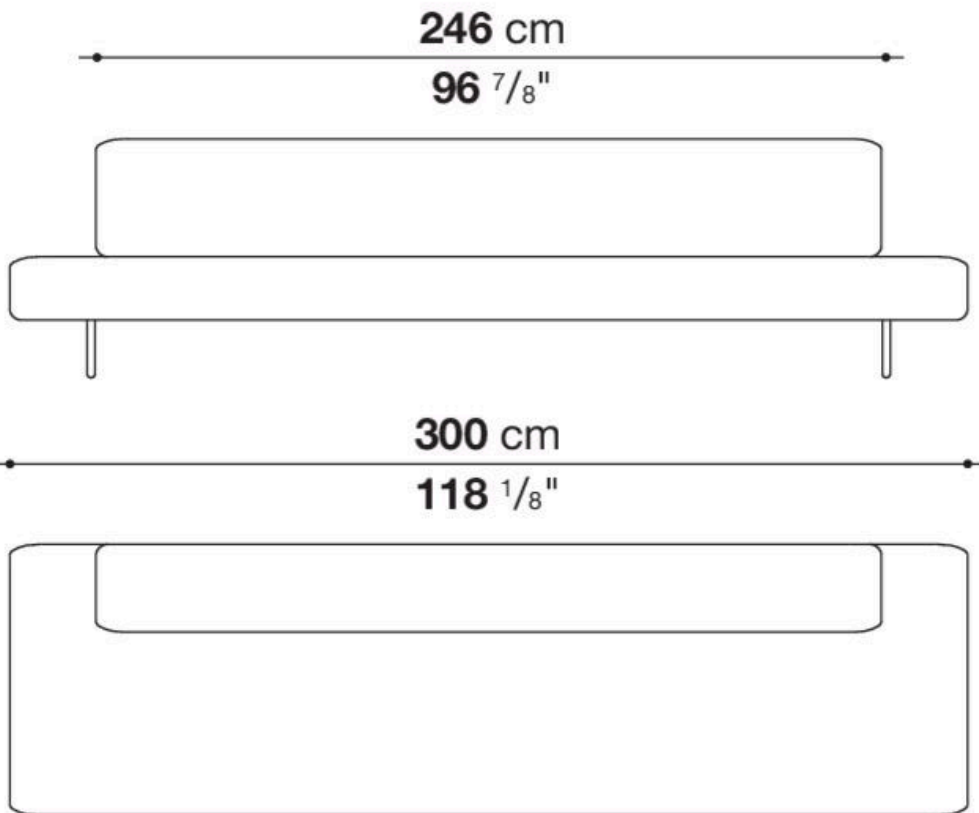
CLO200SC



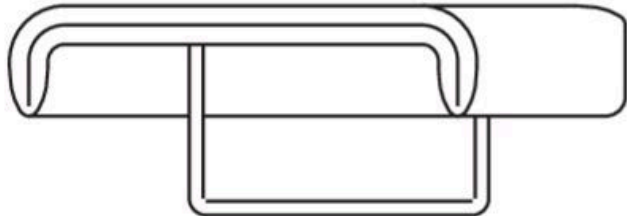
CLO300



CLO300SC



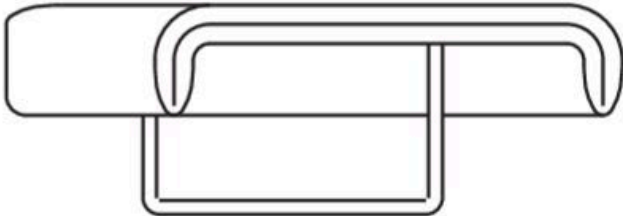
CLO112A



38 cm
15"

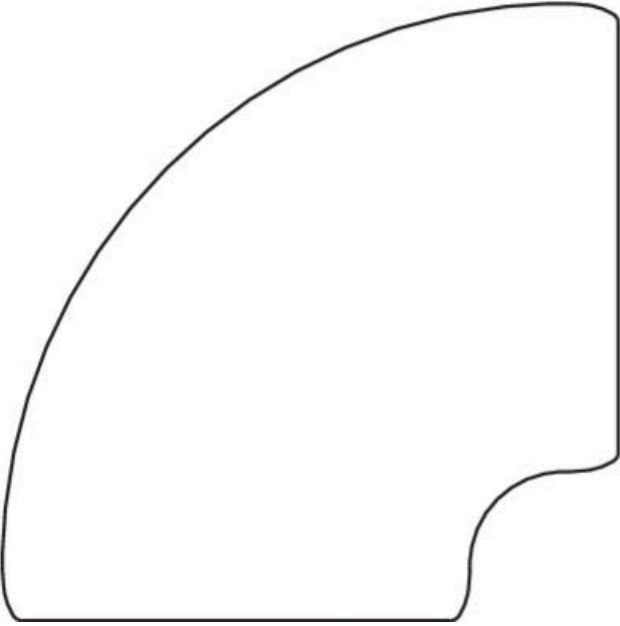
112 cm

44 1/8"



112 cm

44 1/8"



CLO40T



11 cm
4 ³/₈"

40 cm

15 ³/₄"



60 cm

23 ⁵/₈"

