

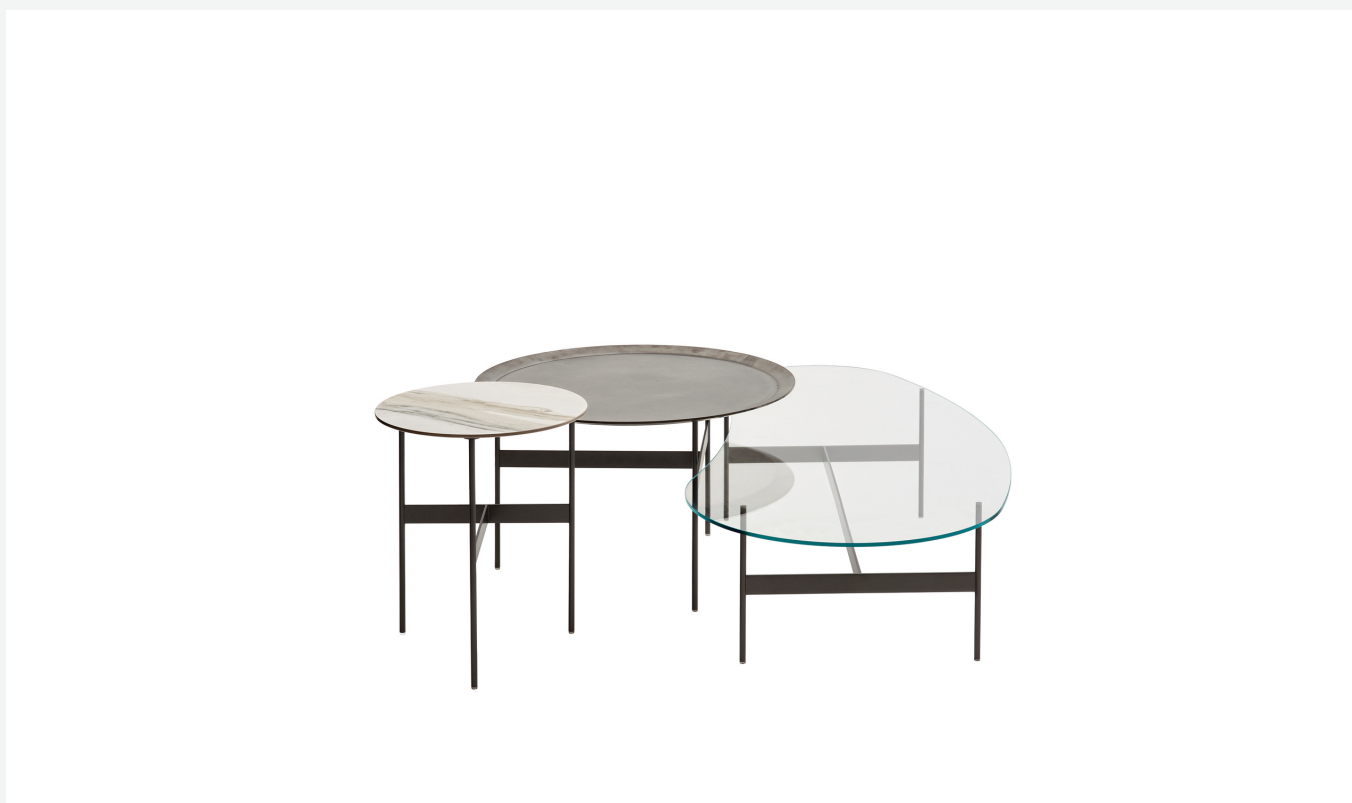
---

# Formiche

TAVOLINI

2017

Piero Lissoni



## Description

---

Lightness and simplicity distinguish Formiche (Ants in English) complements. The slender support frame (making reference to the name), with its shape and finish, picks up the theme of the feet in the sofa system. The rounded support of painted steel is connected by crosspiece to support the tops in different shapes, round, oval, or “kidney bean”. Formiche's various shapes and heights make it possible to compose different support systems. The tops themselves, made of several finishes, have a fine thickness of 8 mm.

## Technical information

---

**Top**

glass or porcelain stoneware

**Tray (FR47V-FR67V)**

aluminium sheet or wood

**Support frame**

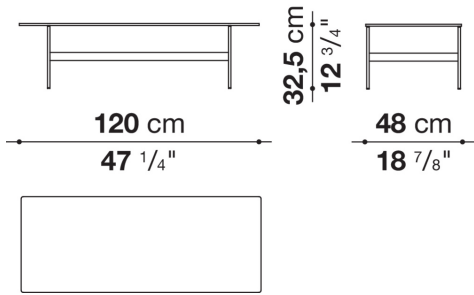
drawn steel

**Ferrules**

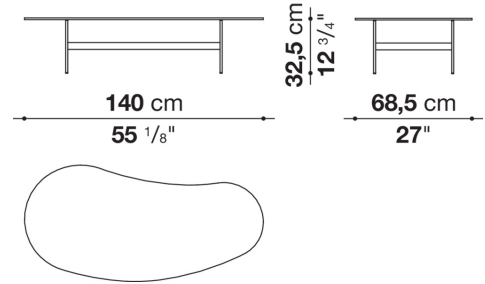
plastic material

# Technical drawings

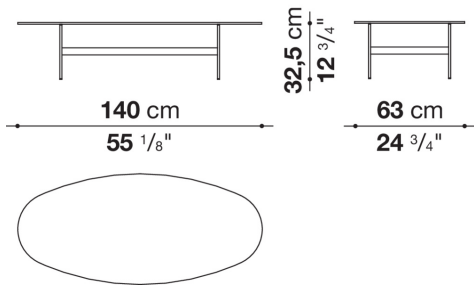
## FR120



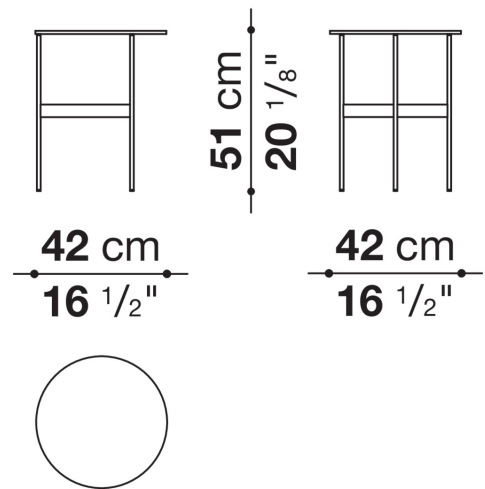
## FR140\_1



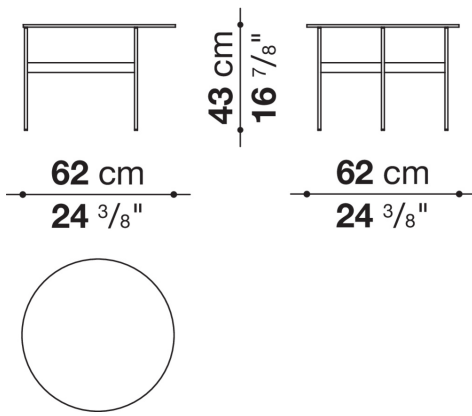
## FR140\_2



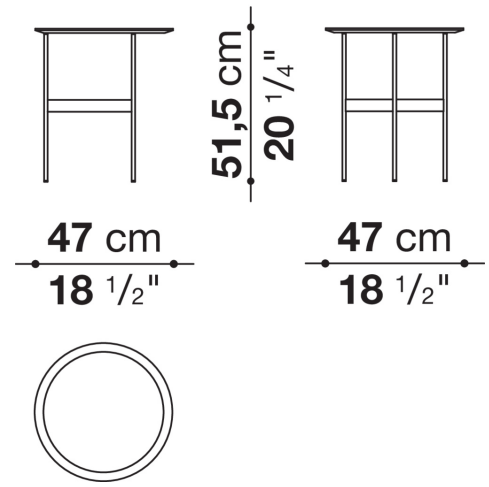
## FR42



## FR62



## FR47V



**FR67V**

