

# Cosmos Outdoor

TAVOLI

2019

Jeffrey Bernett



## Description

---

This collection includes harmonious tables, which can be used in pairs or groups of three due to their compact size. They adapt easily to different environments in contract furnishing schemes and on terraces and residential balconies with moderate sizes.

## Technical information

---

**Frame**

aluminium

**Top**

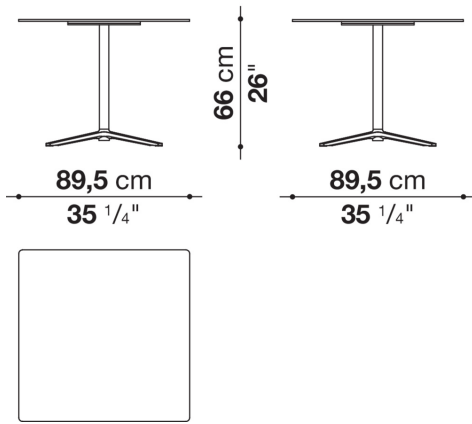
porcelain stoneware

**Ferrules**

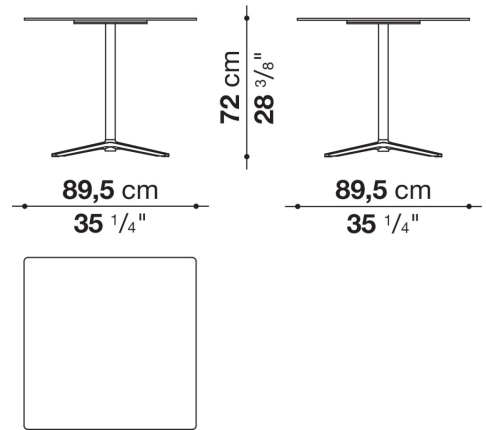
plastic material

# Technical drawings

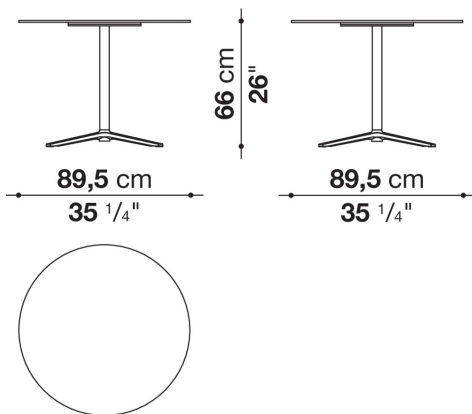
**OTC90Q\_2**



**OTC90Q\_1**



**OTC90R\_2**



**OTC90R\_1**

