

Belle

SEDIE

2018

Naoto Fukasawa



Description

The Belle wooden chair stands out for its rounded lines and leather upholstered seat. The round section legs are given a classical feel by curving slightly outwards in the lower part. Towards the top they join up with the backrest to create elegant, elbow-shaped armrests. The backrest comes in two versions: in wood, in the same finishes as the frame, or upholstered in leather to match the seat. With a clever play of literary and stylistic references, the Belle chair is the delicate, feminine counterpart to the Bull table, but can easily be combined with other models as well.

Technical information

Frame

solid wood

Back

hard polyurethane or solid wood

Seat

veneered multi-layered wood panel

Seat upholstery

Bayfit® flexible cold shaped polyurethane foam

Ferrules

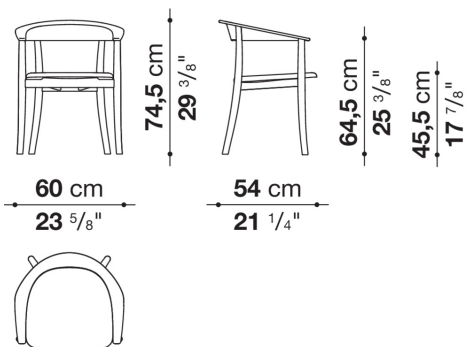
plastic material

Cover

Gamma leather

Technical drawings

SB60



SB60L

