

Charles Outdoor

SOFAS

2010

Antonio Citterio



Description

The outdoor version of the Charles sofa system - a long-time bestseller for B&B Italia - preserves the quality of the interior design project and the characteristics that made it a classic of pure contemporary taste. Indeed, the system features the same slim frame, flexibility and signature design of the inverted "L" shaped feet. With its rigorous, timeless aesthetic, it stands out for its lightweight internal aluminium frame and an external surface created by an open interlacing polypropylene ribbon.

Technical information

Internal frame

tubular aluminium and aluminium profiles

Interlacing

polypropylene fibre

Seat cushion

shaped polyurethane, cover in water repellent polyester fibre

Back cushion

polyester fibre, cover in water repellent polyester fibre

Feet

die-cast aluminium with polyester powder painting

Ferrules

thermoplastic material

Waterproof cover cloth

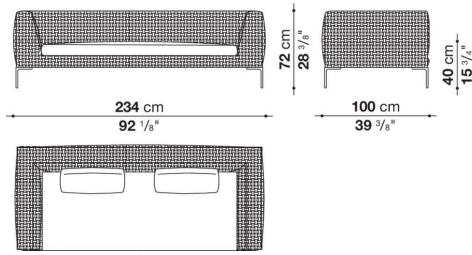
PES fabric coated on one side in PU

Cover

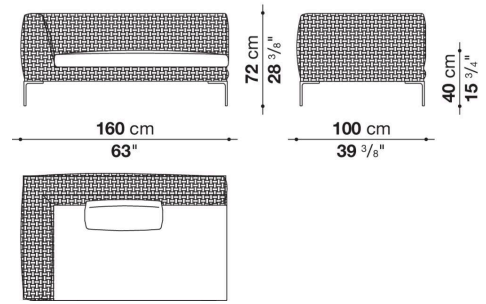
fabric in limited categories

Technical drawings

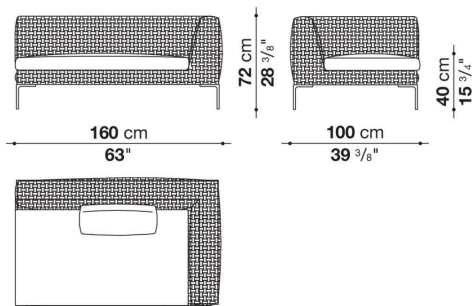
CHO234



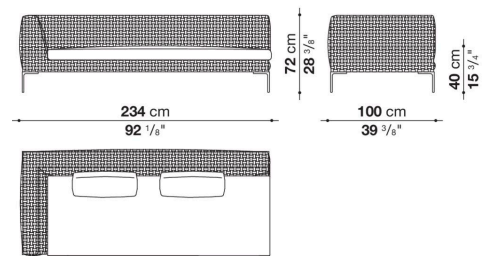
CHO160S



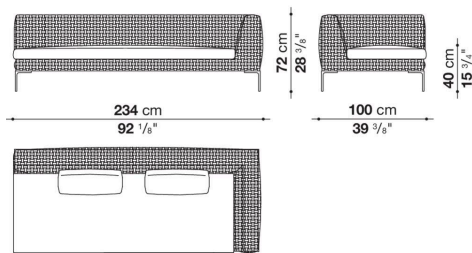
CHO160D



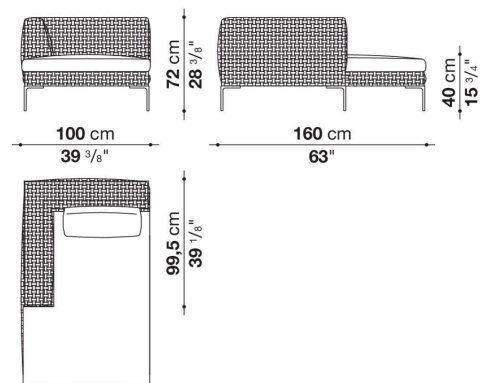
CHO234S



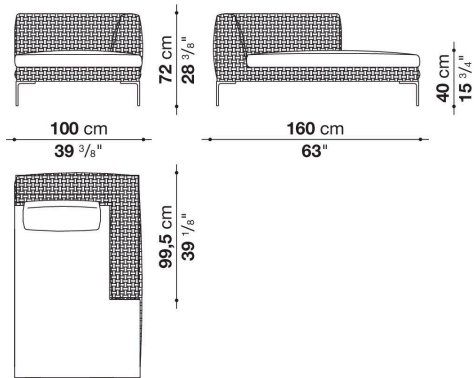
CHO234D



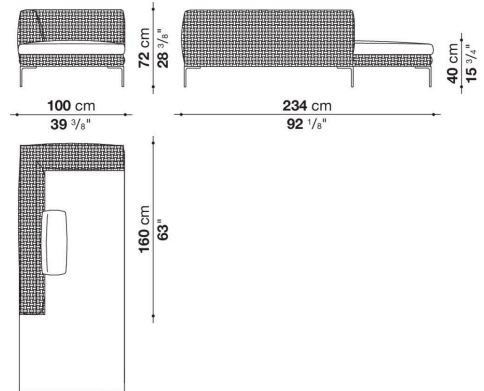
CHO160LS



CHO160LD



CHO234LS



CHO234LD

