

Harry Large

OTTOMAN

2004

Antonio Citterio



Description

An element that can be used almost everywhere, this large round ottoman has seams on the surface that design four sections. It can be used as a seat or as a convenient surface near the sofas. It can also stand alone.

Technical information

Internal frame

tubular steel and steel profiles

Internal frame upholstery

shaped polyurethane of different density, polyester fibre cover

Feet

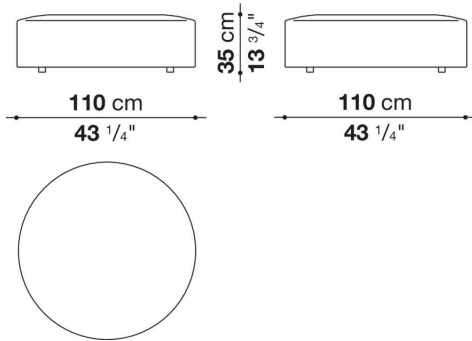
thermoplastic material

Cover

fabric or leather

Technical drawings

HL110P



HL154P

