

# Erica

SMALL TABLES

2025

Antonio Citterio



## Description

---

The Erica small tables, in three round sizes and two heights, combine powder-coated die-cast aluminum structures in five colors – anthracite, dove grey, olive bronze, aquamarine green, cream white – with slatted tops in natural teak or molten glass – a process that creates organic textures and irregularities on the surface for a distinct tactile effect - back-painted in jade green, emerald green and coral red.

## Technical information

---

**Frame**

die-cast aluminium and extrusions with polyester powder painting

**Top**

solid wood or back-painted molten glass

**Ferrules**

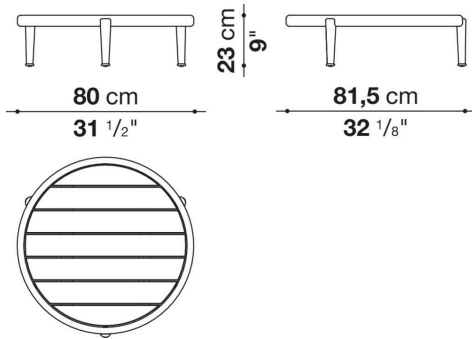
thermoplastic material

**Waterproof cover cloth**

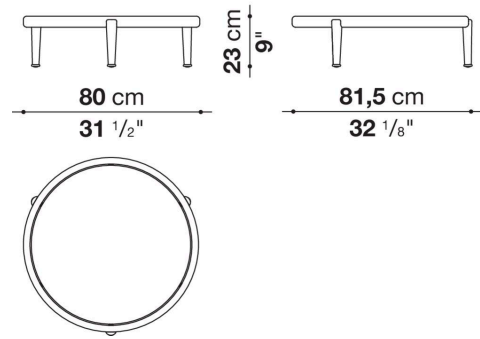
PES fabric coated on one side in PU

# Technical drawings

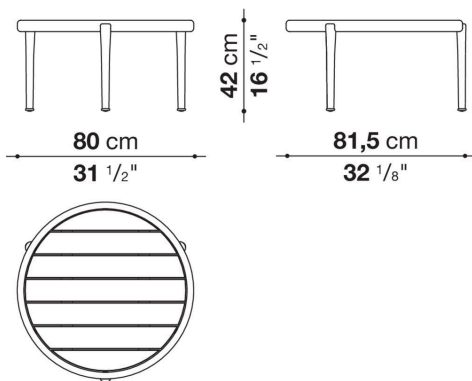
**ER8TR**



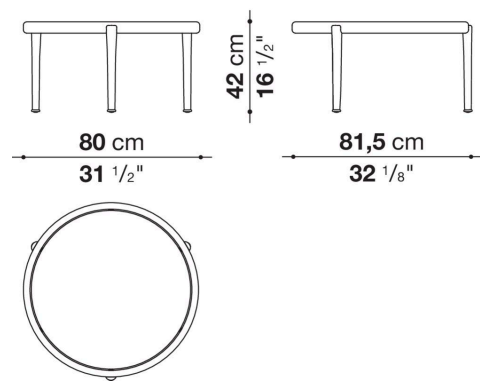
**ER8TR\_V**



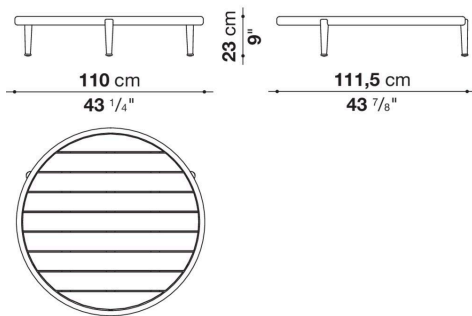
**ER8TR\_4**



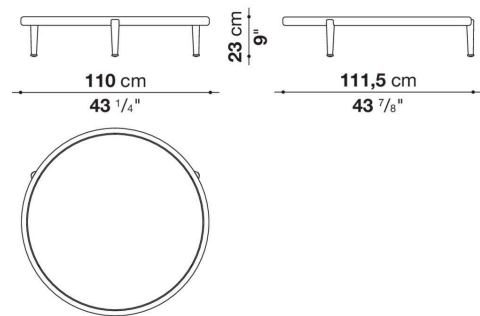
**ER8TR\_4V**



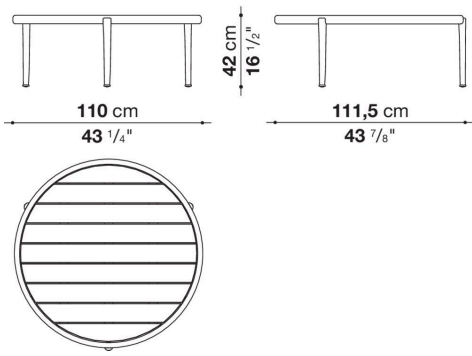
**ER11TR**



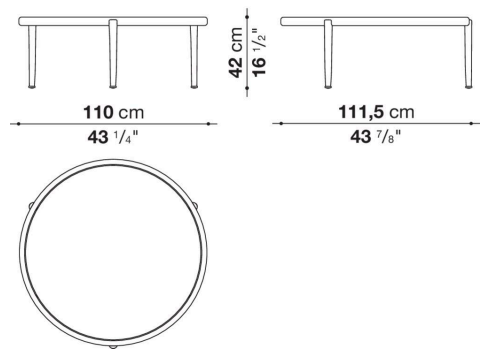
**ER11TR\_V**



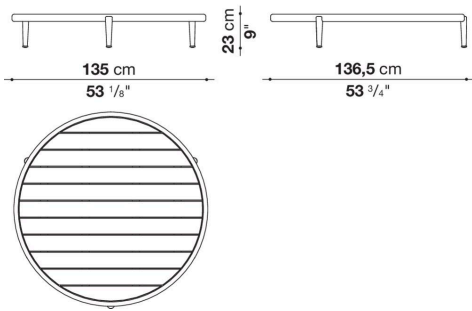
**ER11TR\_4**



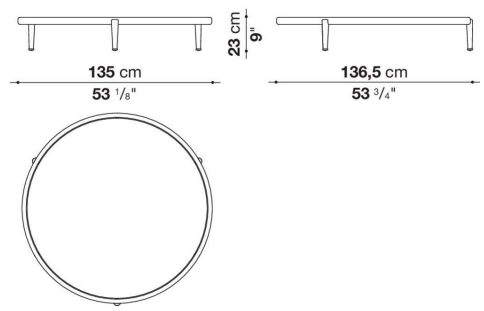
**ER11TR\_4V**



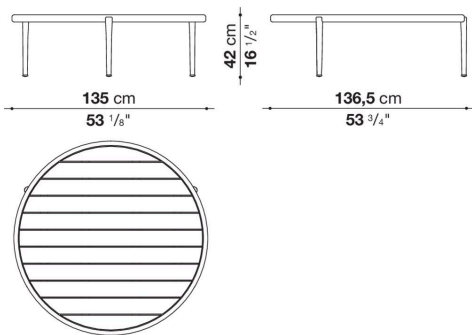
**ER13TR**



**ER13TR\_V**



**ER13TR\_4**



**ER13TR\_4V**

