

Allure O' Dot

TABLES

2024

Monica Armani



Description

The tables Allure O' Dot, with lenticular shapes available in two heights, boast a fresh, dynamic, and trendy design, characterized by the iconic shape of the tops and bases, which echo the distinctive design of the Allure O' tables, the refinement of materials, colours and the play of transparencies. The bases in rigid lacquered polyurethane and the tops in smoky or transparent glass, both with central serigraphy, are the elements that give life to a transversal product, capable of adapting to multiple functions and uses. The result of Monica Armani's vision, combining taste, elegance and modernity in a single proposal, Allure O' Dot is available in three colours.

Technical information

Top

tempered glass with steel plate

Base-frame

hard polyurethane

Support frame

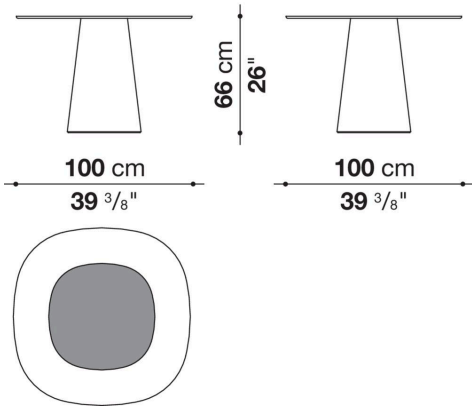
metal

Ferrules

thermoplastic material

Technical drawings

TAD100Q_6L



TAD100Q_7L

