

Dambodue

SOFAS

2024

Piero Lissoni



Description

The Dambo sofa family expands with Dambodue, a new version with a particularly generous shape and richly upholstered back and armrests. The seat is direct and rests on the floor, emphasised at the base by a bronzed nickel painted profile that gives it a particularly strong character. While presenting linear geometries, the design has been carefully studied to ensure comfort and functionality. In fact, Dambodue proves to be surprisingly comfortable and cosy, while maintaining a seat with limited depth. The range includes the linear sofa in two- and three-seater versions and a variety of elements to create different types of compositions. The height of the feet from ground is 5 cm (2").

Technical information

Internal frame

tubular steel and steel profiles

Internal frame upholstery

flexible cold shaped polyurethane foam, polyester fibre cover

Back cushion (DU55_C)

polyester fibre

Corner

die-cast aluminium

Lower edge

aluminium extrusions

Ferrules

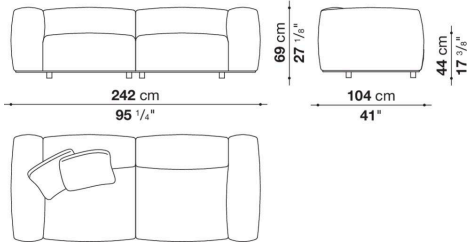
plastic material

Cover

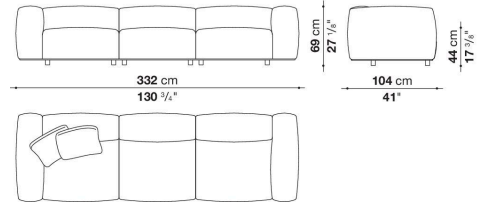
fabric or leather

Technical drawings

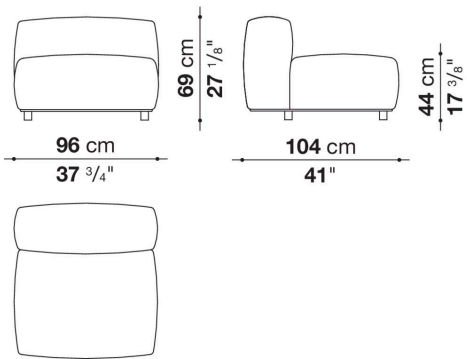
DU242



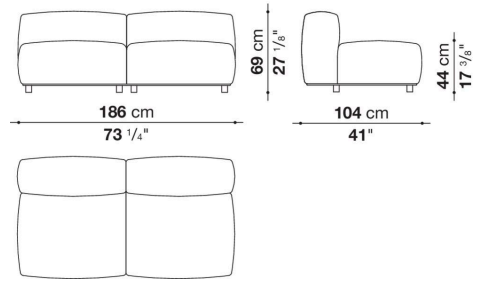
DU332



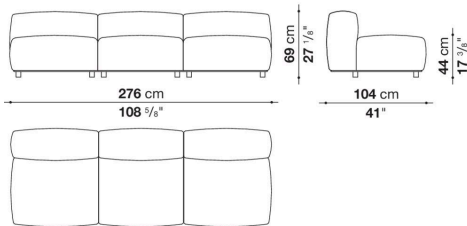
DU96C



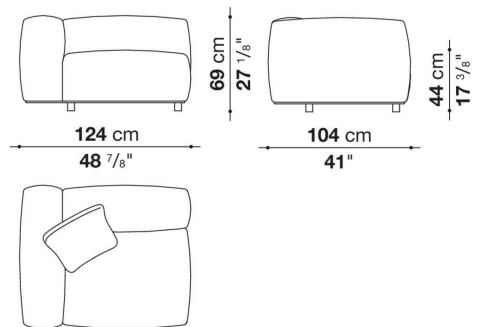
DU186C



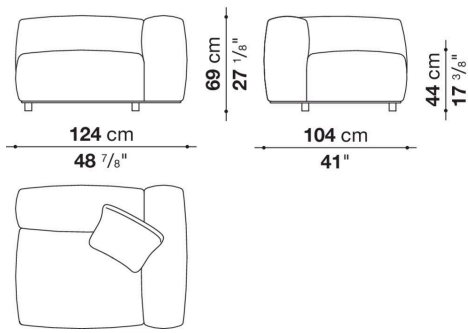
DU276C



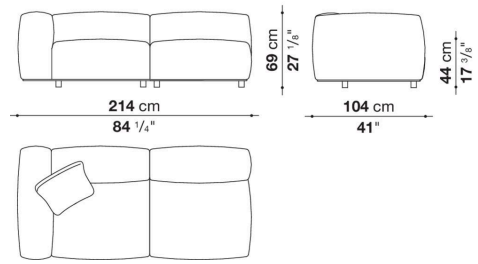
DU124TS



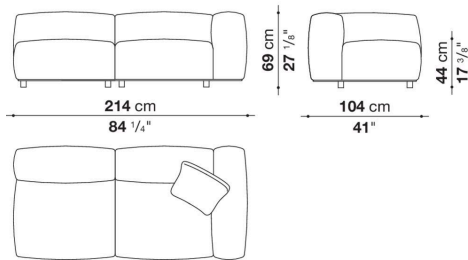
DU124TD



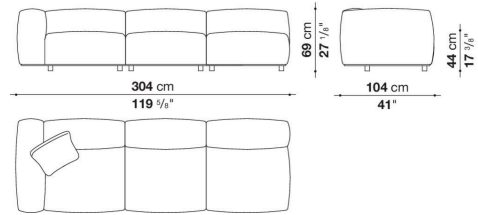
DU214TS



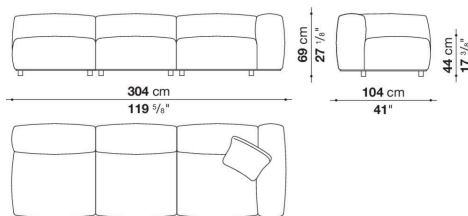
DU214TD



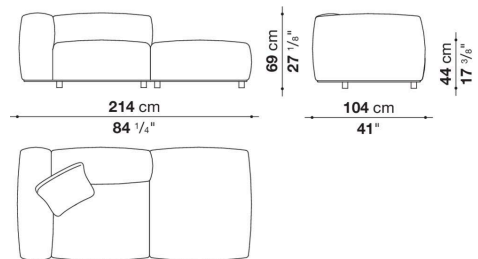
DU304TS



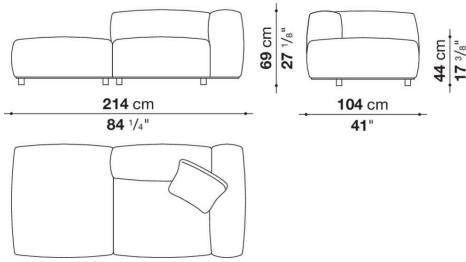
DU304TD



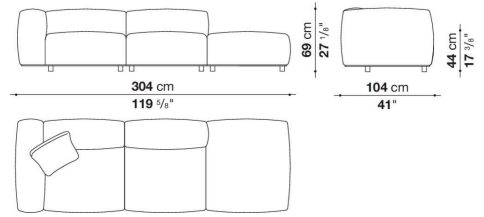
DU214TPS



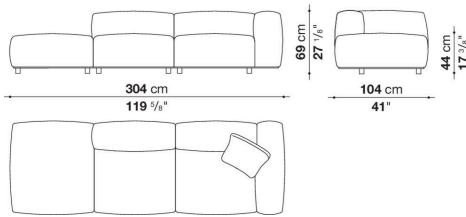
DU214TPD



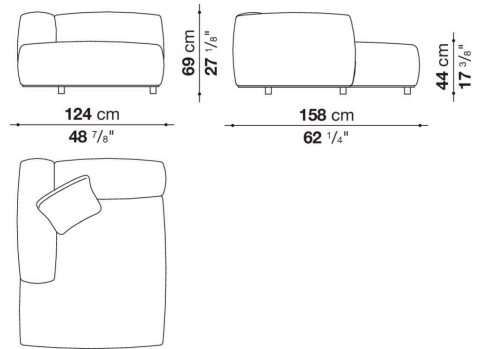
DU304TPS



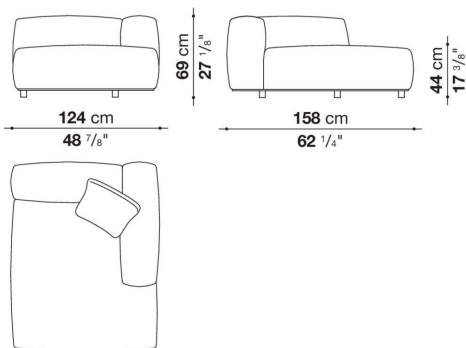
DU304TPD



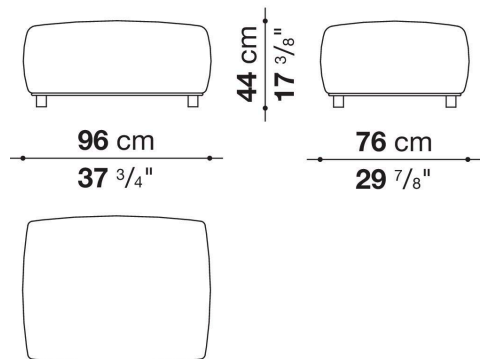
DU158LS



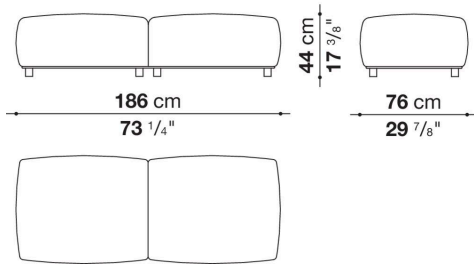
DU158LD



DU96P



DU186P



DU276P

