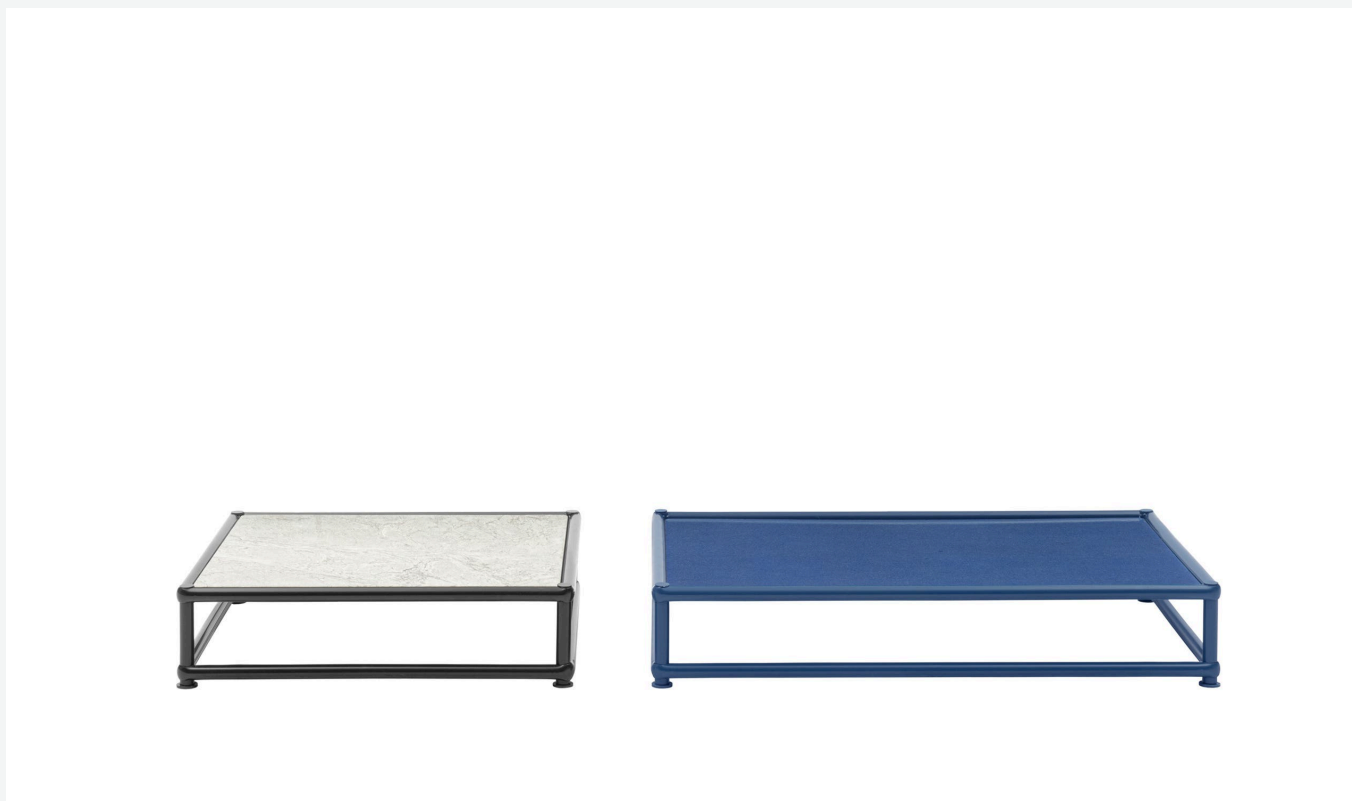


# Nooch

SMALL TABLES

2023

Piero Lissoni



## Description

---

A low table with a linear design underlined by tubular elements in recycled aluminium. It is available in a square or rectangular version with tops in serpentine stone or in enamelled lava stone in different colours to match the semi-gloss finishes of the structure.

## Technical information

---

**Frame**  
die-cast aluminium and extrusions

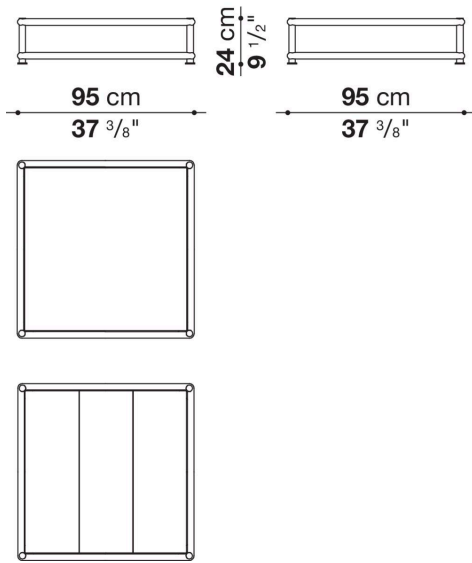
**Top**  
Serpentine stone or enamelled lava stone

**Ferrules**  
thermoplastic elastomer

**Waterproof cover cloth**  
PES fabric coated on one side in PU

# Technical drawings

**TNH95Q**



**TNH136**

