

# Flair O'

CHAIRS

2021

Monica Armani



## Description

---

Flair O' is a small domestic throne, a chair that matches the Allure O' table perfectly. The two objects establish a dialogue starting from their bases. Both pieces sit atop a truncated pyramid with rounded edges to reconcile the concepts of elegance and charm. The base widens gently on the back side as it nears the floor. It becomes almost unnoticeable and provides great stability without interfering with the harmony of the design. A padded seat provides necessary comfort. Moreover, the accentuated tilt of the backrest and its enveloping shape help people relax without compromising the ideal posture to adopt when interacting with others elegantly around a dining table. Furthermore, the chair is equipped with a swivel mechanism with an automatic return. The fabric cover embraces Flair O' like a tailored suit, covering it completely from the seat to the base.

# Technical information

---

**Internal frame**

tubular steel and steel profiles

**Internal frame upholstery**

Bayfit® flexible cold shaped polyurethane foam, polyester fibre cover

**Swivel mechanism (SF60M)**

steel laminate and aluminium extrusion, automatic return mechanism

**Ferrules**

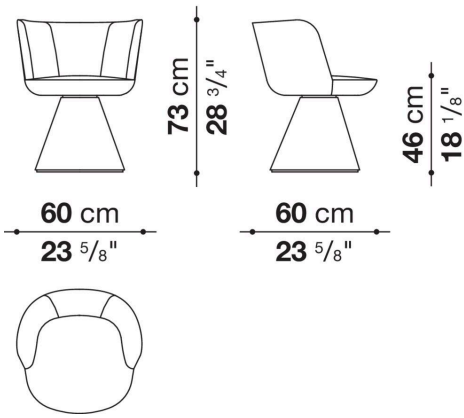
thermoplastic material

**Cover**

fabric

# Technical drawings

## SF60F



## SF60M

