

Ac Executive

LIVING STORAGE UNITS

2007

Antonio Citterio



Description

A complete range of wooden furniture designed to furnish executive offices and meeting rooms with great elegance, but also to solve home office needs. The series includes storage units, sideboards, bookcases, meeting tables and writing-desks. There are also solutions for wiring management, storage units with lockable drawers for suspended filing and wardrobe use containers.

Technical information

Frame (ACE1)

veneered honeycomb-core and wood particles panel

Frame (ACE3C)

solid wood, veneered wood particles panel

Frame (ACE8-ACE5-ACE4-ACE17-ACE22)

solid wood, wood particles panel, veneered honeycomb-core and wood particles panel

Back panel (ACE3C)

veneered wood particles panel, glass or fabric

Drawer (ACE1-ACE4-ACE5-ACE8)

wood particles panel, multi-layered wood panel

File holder support (ACE1-ACE4-ACE5-ACE8)

drawn steel and steel profiles

Partitions

methacrylate with aluminium profiles

Base-frame

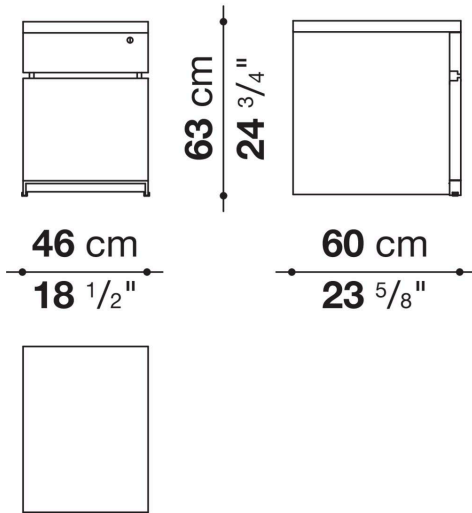
drawn steel

Adjustable feet

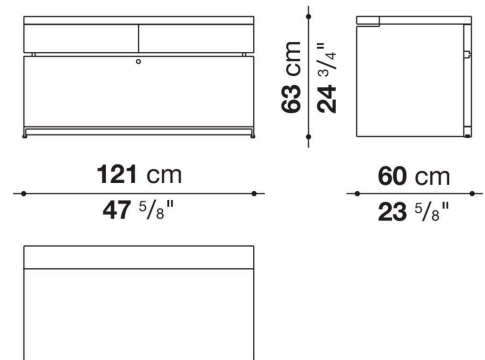
steel and plastic material

Technical drawings

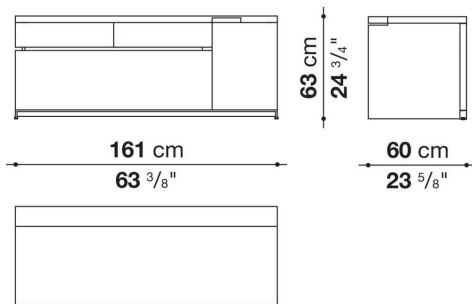
ACE8



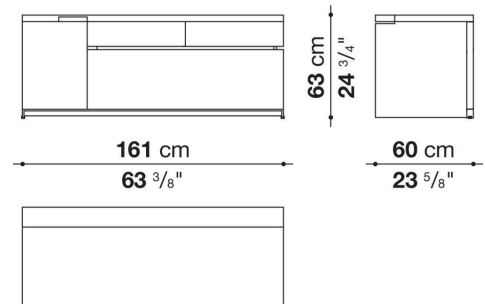
ACE5



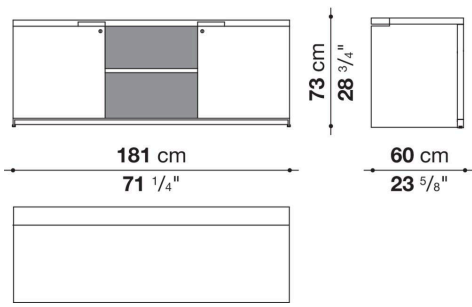
ACE4S



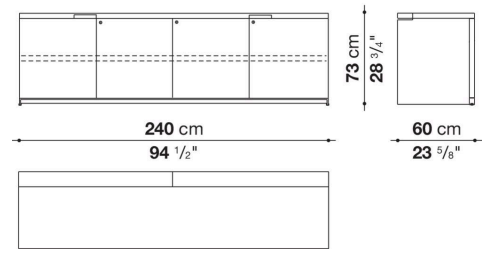
ACE4D



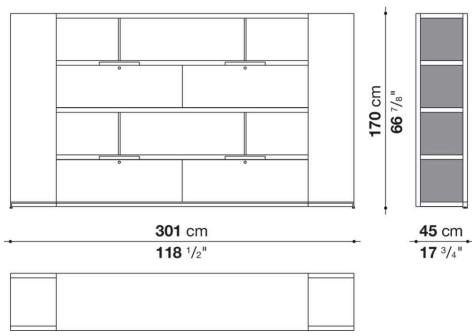
ACE17



ACE22



ACE1



ACE3C

