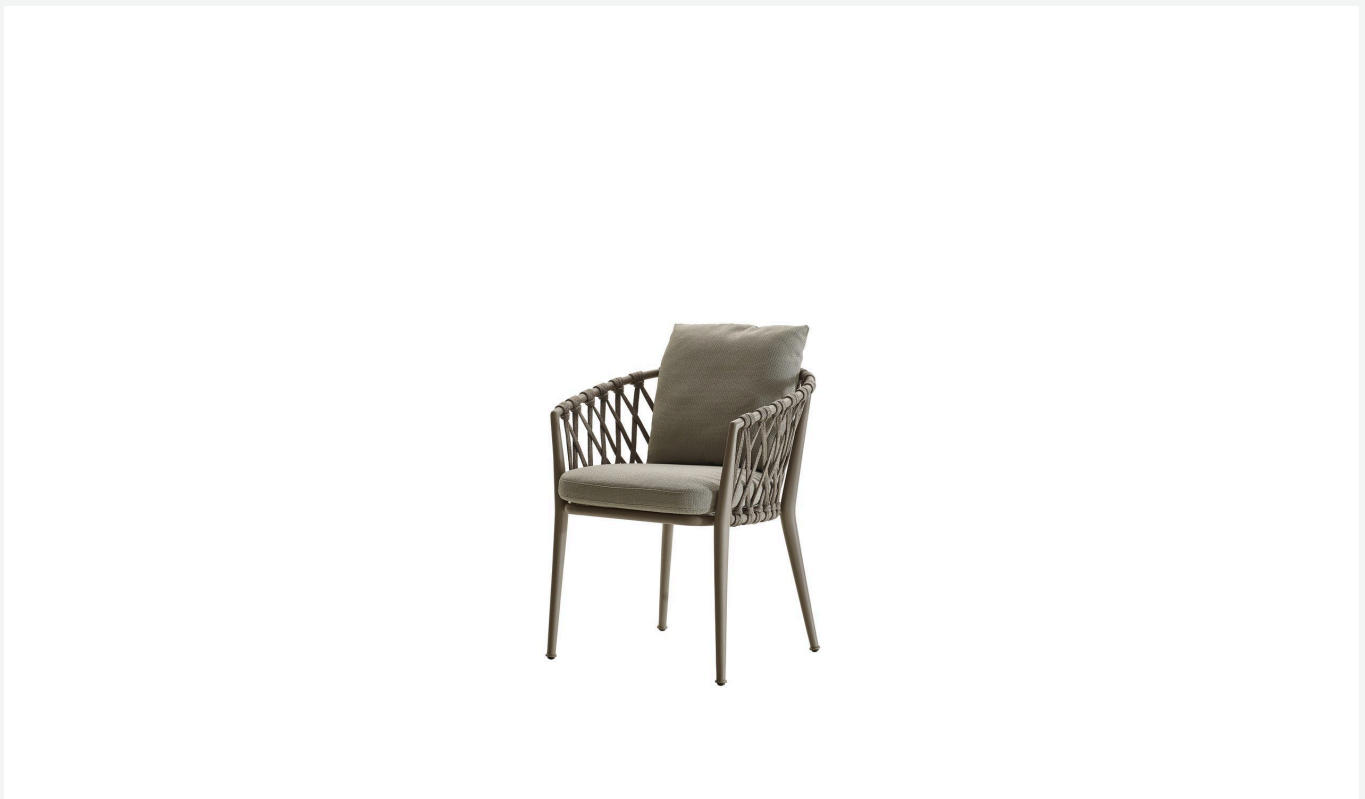


Erica

CHAIRS

2017

Antonio Citterio



Description

Chair in two heights with a stackable version, it offers a technological blend of extruded and die-cast aluminium elements. Its lightness and design makes it ideal for both public and residential settings, featuring seat cushions for ergonomic comfort together. Erica chair has different finishes of the painted frames, combined with interlacing of synthetic fabric tapes with a high tenacity internal core designed for outdoor use.

Technical information

Frame

die-cast aluminium and extrusions with polyester powder painting

Back upholstery

polyester fibre and polyurethane combination

Seat upholstery

shaped polyurethane, cover in water repellent polyester fibre (with heat-sealed ribbon)

Interlacing

polypropylene fibre braid

Seat webbing

polypropylene fibre and synthetic rubber threads

Ferrules

thermoplastic material

Waterproof cover cloth

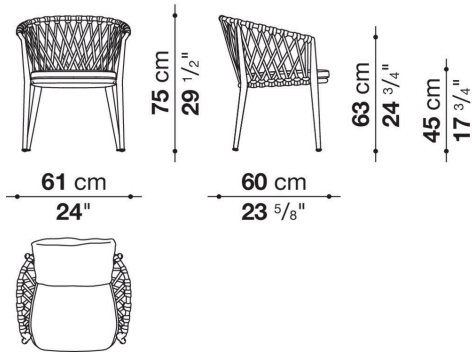
PES fabric coated on one side in PU

Cover

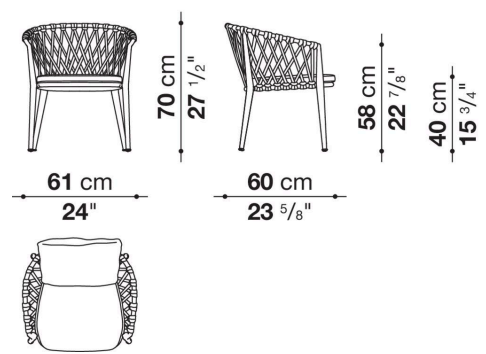
fabric in limited categories

Technical drawings

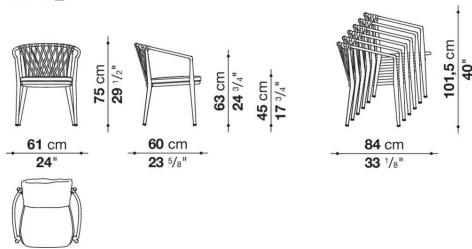
E61S



E61SB



E61S_I



E61SB_I

