

# Pushpam

TABLES

2018

Naoto Fukasawa



## Description

---

Pushpam is a collection of tables that stand out for their perfect formal balance and for the striking texture of their cement finish.

The Pushpam tables are characterized by their minimalist and refined design. They are crafted with high-quality materials, ensuring durability and long-lasting resistance

## Technical information

---

**Top and base-frame**

cement (Ultra High Performance Concrete)

**Coupling plate**

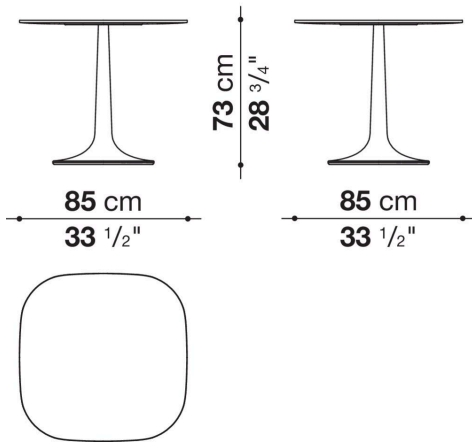
galvanized sheet

**Ferrules**

thermoplastic material

# Technical drawings

**TF85A**



**TF100RA**

