

Ginepro

TABLES

2020

Antonio Citterio



Description

The Ginepro table is made with an anthracite painted aluminium structure and a Serpentine stone top, extremely durable and precious. With its two shapes (round and rectangular with rounded corners) and different dimensions, it lends itself to be placed in different outdoor environments: terraces, verandas, patios and gardens.

Technical information

Top

Serpentine stone

Frame

die-cast aluminium and extrusions with polyurethane painting

Ferrules

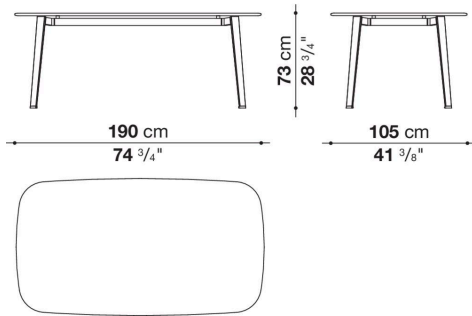
thermoplastic material

Waterproof cover cloth

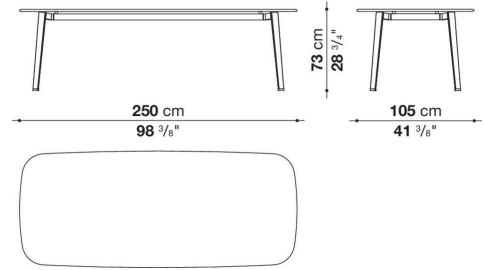
PES fabric coated on one side in PU

Technical drawings

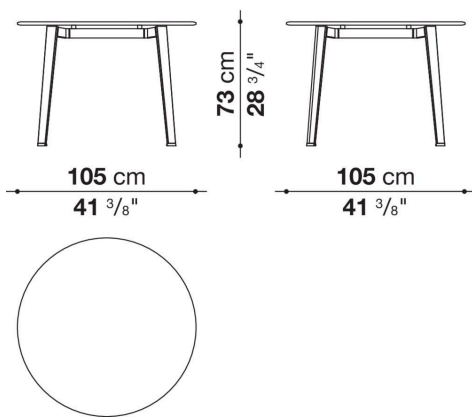
TGS190



TGS250



TGS105R



TGS140R

