

Canasta '13

SMALL TABLES

2013

Patricia Urquiola



Description

The Canasta '13 small tables for outdoor use complement the family of seats of the same name, and yet are so flexible as to suit any setting where a table is needed. They come in two versions: the first, a decorative model with soft shapes, features a frame characterised by coloured twisted polyethylene fibre bands and a tray top in painted steel; the second, more minimalist and geometric, has a powder-painted steel frame and a porcelain stoneware top.

Technical information

Frame

steel with polyester powder painting

Top

tiles in porcelain stoneware

Interlacing (PCNC60-PCNC80-PCNC110)

polyethylene fibre

Service element tray (PCNC60-PCNC80-PCNC110)

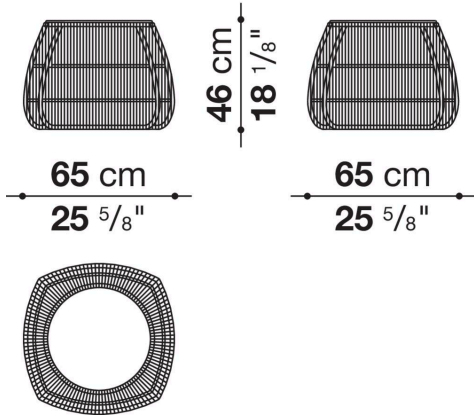
steel sheet with polyester powder painting

Ferrules

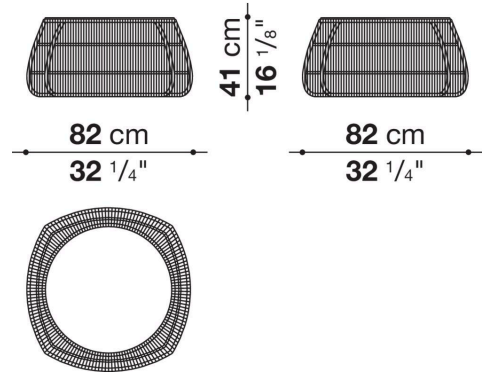
thermoplastic material

Technical drawings

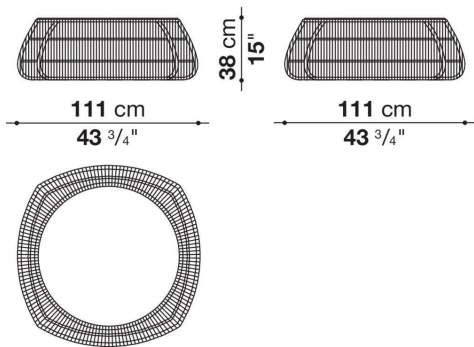
PCNC60



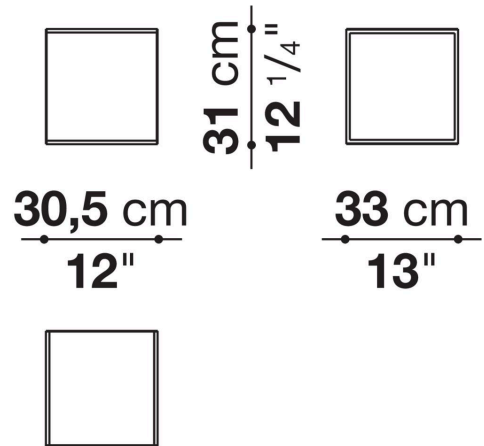
PCNC80



PCNC110



TCNC3



TCNC4

