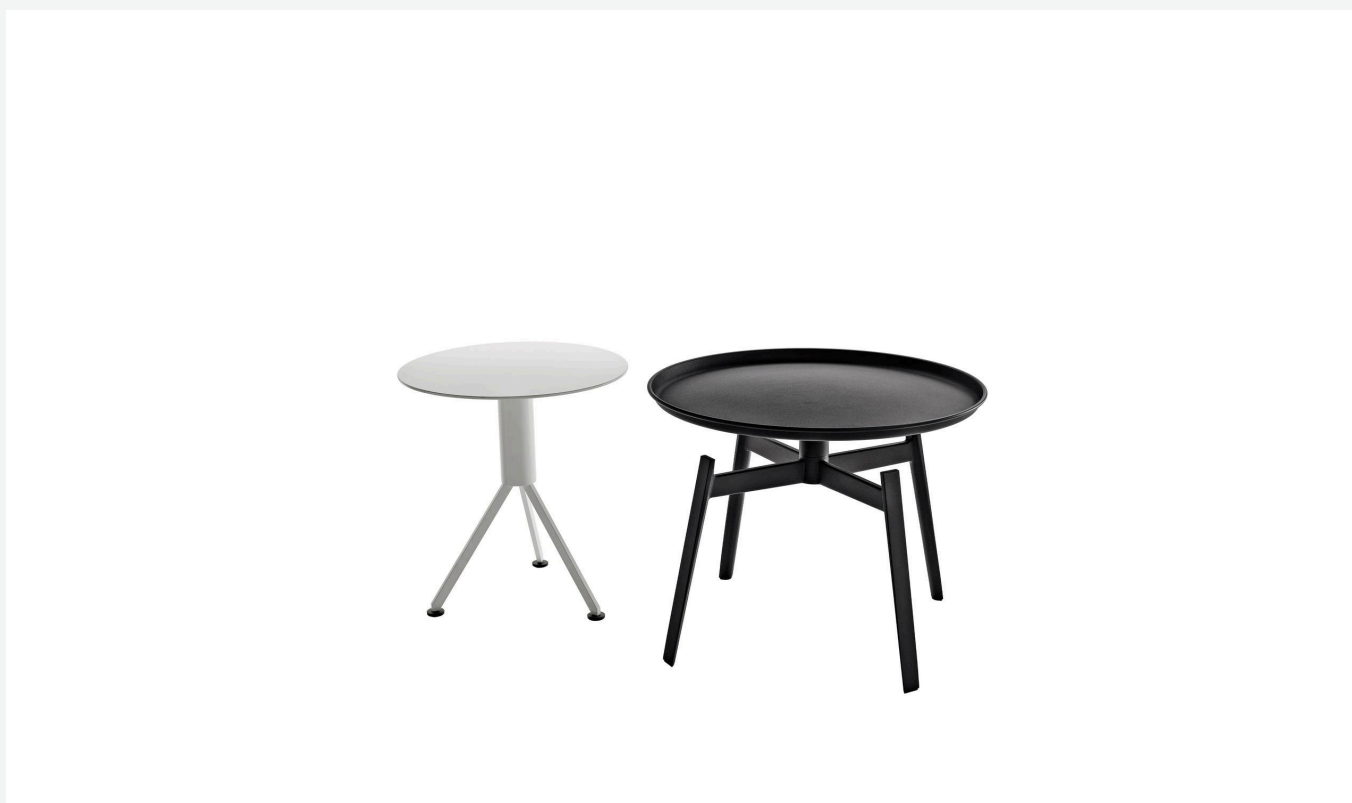


# Husk Outdoor

SMALL TABLES

2011

Patricia Urquiola



## Description

---

The Husk Outdoor small tables stand out for their clean, formal lines and their metal tops and frame. They come in two versions: a small table with a three-spoke base and a round top available in various colours; and a four-spoke small table with tray top painted in a single colour.

## Technical information

---

**Top (HT)**

aluminium sheet with polyester powder painting

**Top and tray (HTO62-HTO62V)**

steel sheet with polyester powder painting

**Support frame**

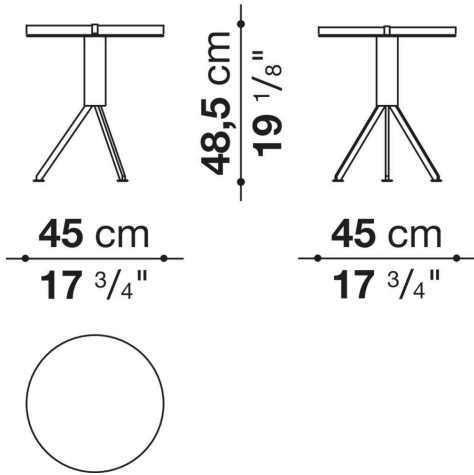
steel sheet and die-cast aluminium with polyester powder painting

**Ferrules**

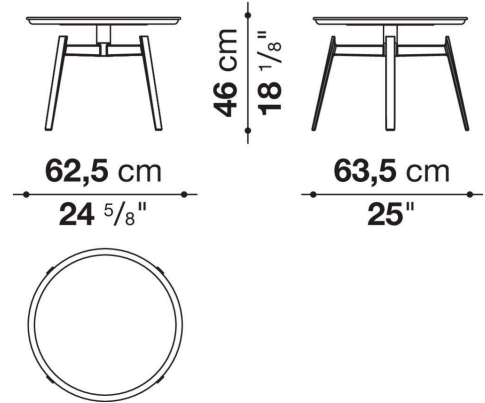
plastic material

# Technical drawings

## HT



## HTO62



## HTO62V

