

Mirto Outdoor

CHAIRS

2013

Antonio Citterio



Description

Timeless, resistant and durable, both from a formal and a physical point of view, the Mirto Outdoor chairs express an elegance that transcend time and fashions. They come in a fixed version, with or without armrests, and in a folding version, reinterpreting the classic director's chair. They feature a light aluminium frame and a seat and back in Batyline® Canatex mesh, whose hemp fibre confers a surprisingly natural look compared to the plastics usually used in this sector. The edges are expertly cut, sewn and glued around the profiles to create a minimalist décor. Mirto Outdoor is a complete series of outdoor furniture inclusive of chairs, armchairs, loungers, dining tables and furnishings.

Technical information

Frame

die-cast aluminium and extrusions with polyurethane painting

Seat and back

Stige mesh in Batyline® Canatex

Seat and back (MI59N-MI59_IM)

fabric Laguna or Lamar

Edge and armrest

Batyline® Keops

Armrest (MI59N-MI59_IM)

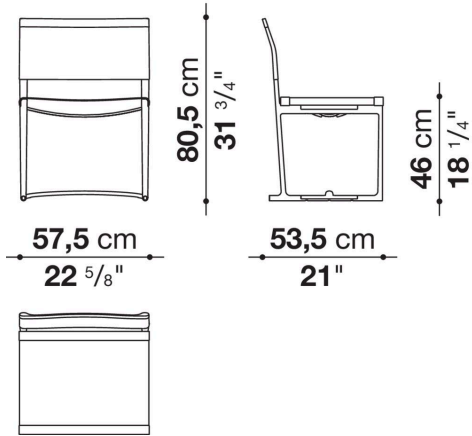
waterproof thick leather

Ferrules

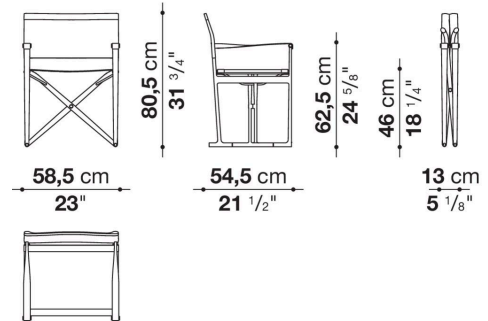
thermoplastic elastomer

Technical drawings

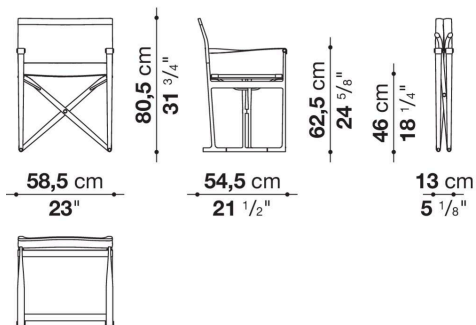
MI58S



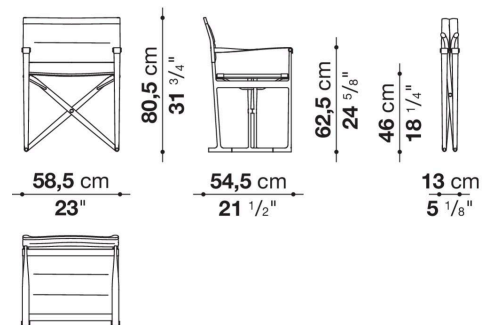
MI59SR



MI59N



MI59_IM



MI65P

