

Harbor

ARMCHAIRS

2017

Naoto Fukasawa



Description

Enveloping and sinuous, the Harbor armchair with armrests stands out for its sculptural design. It comes in two ergonomically designed versions: a relaxing armchair with a high backrest and headrest, and another with a low back fostering conversation. Both come with a swivel base and a visible metal zipper on the rear of the backrest, allowing the cover to be removed. The Harbor armchairs can be matched with an ottoman, onto which a tray can be rested for use as a small table. The series also includes a two-seater sofa.

Technical information

Internal frame

tubular steel and steel profiles

Internal frame upholstery

Bayfit® flexible cold shaped polyurethane foam, polyester fibre cover

Swivel base-frame (HA80A-HA80B)

steel laminate and aluminium

Base-frame (HA61P)

steel laminate

Headrest (HA_P)

shaped polyurethane, polyester fibre, cotton cover, counterweight in anodized aluminium and steel

Tray (HA65V)

solid wood, veneered wood fibre panel

Ferrules

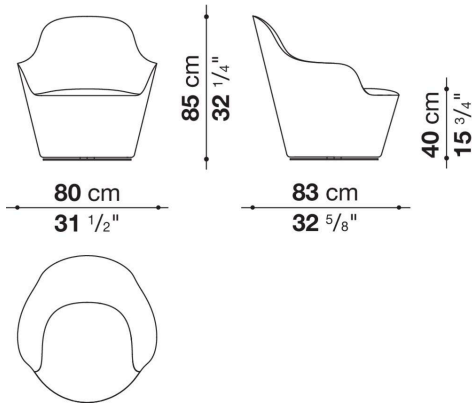
thermoplastic material

Cover

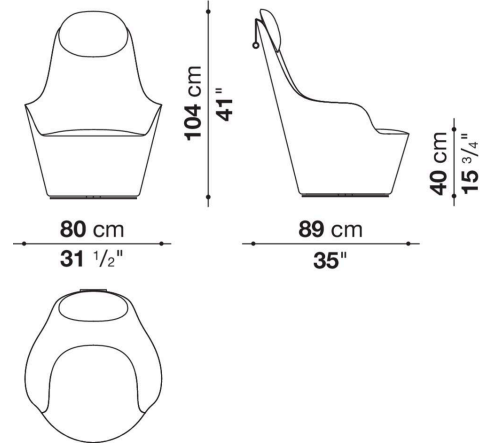
fabric (double needle lapped seams) or leather (double needle lapped seams or sellier topstitch seams)

Technical drawings

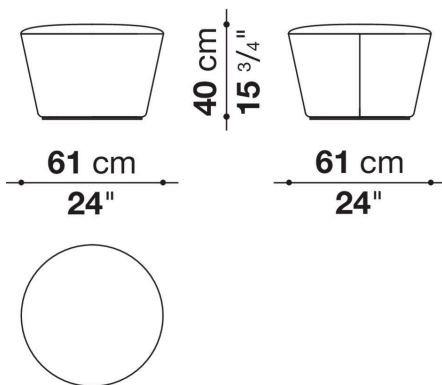
HA80B



HA80A



HA61P



HA65V

