

Charles Outdoor

SOFAS

2010

Antonio Citterio



Description

The outdoor version of the Charles sofa system - a long-time bestseller for B&B Italia - preserves the quality of the interior design project and the characteristics that made it a classic of pure contemporary taste. Indeed, the system features the same slim frame, flexibility and signature design of the inverted "L" shaped feet. With its rigorous, timeless aesthetic, it stands out for its lightweight internal aluminium frame and an external surface created by an open interlacing polypropylene ribbon.

Technical information

Innenrahmen

Aluminiumrohre und -profile

Geflecht

Polypropylenfaser

Sitzkissen

geformtes Polyurethan, Futter aus Polyesterfaser mit wasserabweisender Beschichtung

Rückenkissen

Polyesterfaser, Futter aus Polyesterfaser mit wasserabweisender Beschichtung

Füße

Aluminiumguss mit Polyesterpulverlackierung

Gleiter

Material thermoplastisch

Wetterfeste Abdeckung

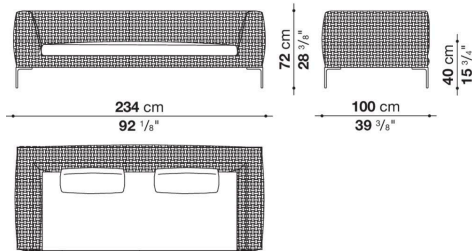
Polyesterstoff auf einer PU-Seite

Bezug

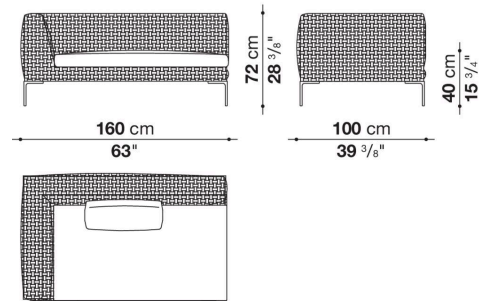
Stoff in begrenzten Kategorien

Technical drawings

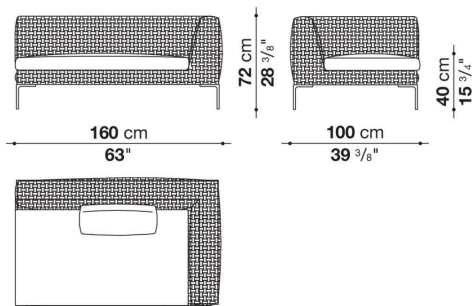
CHO234



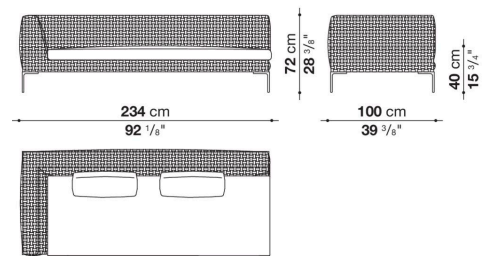
CHO160S



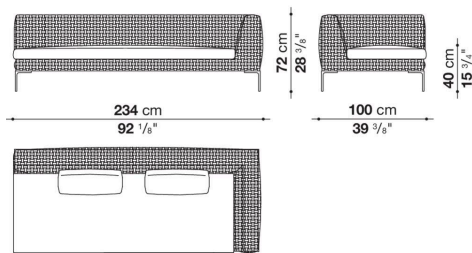
CHO160D



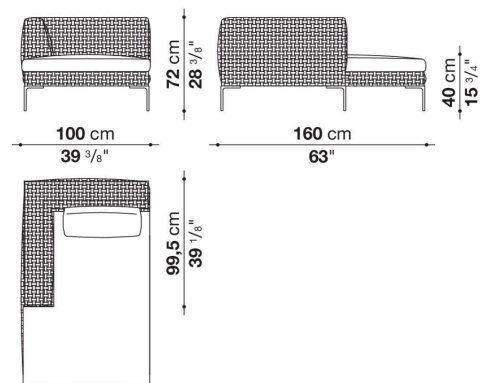
CHO234S



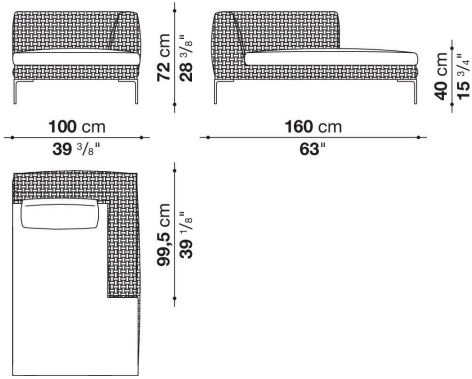
CHO234D



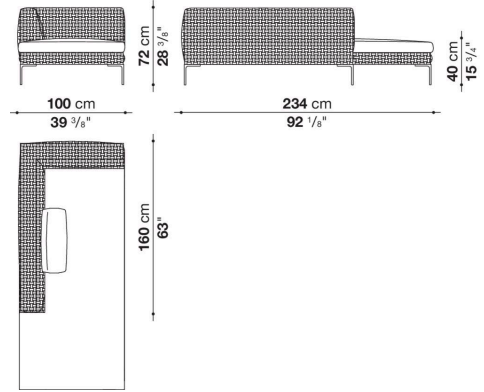
CHO160LS



CHO160LD



CHO234LS



CHO234LD

