

Charles Large

SOFAS

2003

Antonio Citterio



Description

The Charles Large modular sofa is an exceptionally comfortable seat with a fabric or leather cover. Airy and light in shape, it develops the idea of the sofa as a welcoming shelter where you can also lie down. The project reinterprets and enriches the Charles system, a long-standing best seller of B&B Italia, with a version with a wider depth. The project's striking features remain the essential design of the die-cast aluminium feet in the shape of an inverted "L", the single seat cushion, and the free back cushions.

Technical information

Innenrahmen

Stahlrohre und -profile

Innenrahmen Füllung

kalt elastischer Polyurethanschaum Bayfit®, Futter aus Polyesterfaser

Sitzkissen Füllung (Haushalt)

geformtes Polyurethan verschiedener Dichten, sterilisierte Daunen, Futter aus Polyesterfaser

Sitzkissen Füllung (Allgemeinheit)

geformtes Polyurethan verschiedener Dichten, Polyesterfaser, Futter aus Polyesterfaser

Rückenkissen (CH48_C-CH72_C)

Polyesterfaser, Futter aus Baumwolle, Typ mit Umrandung

Füße

Aluminiumguss

Gleiter

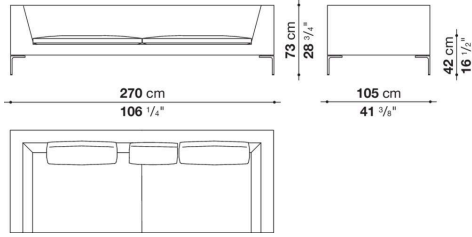
Material thermoplastisch

Bezug

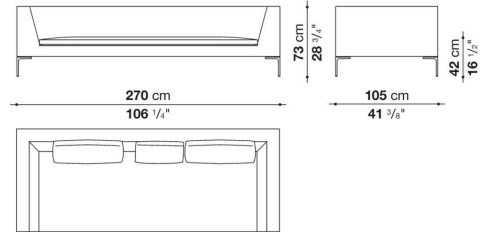
Stoff oder Leder

Technical drawings

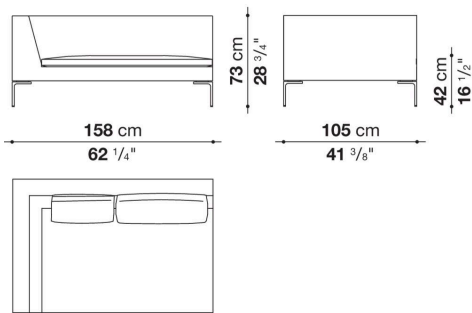
CHL270



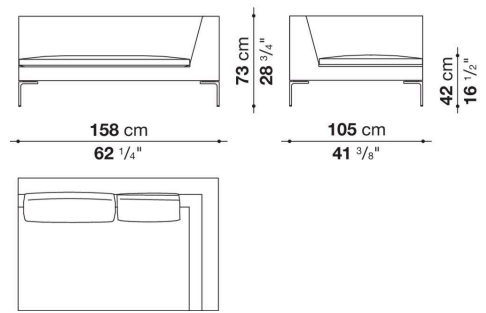
CHL270_1



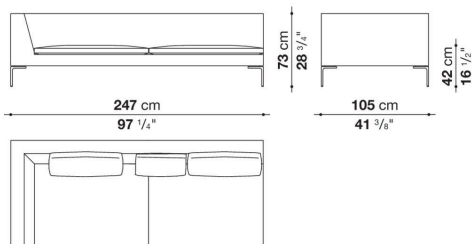
CHL158S



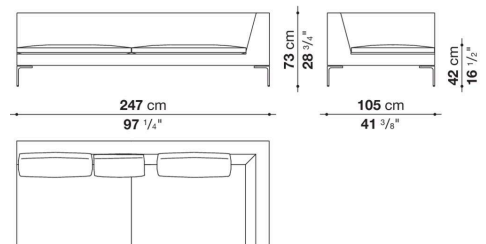
CHL158D



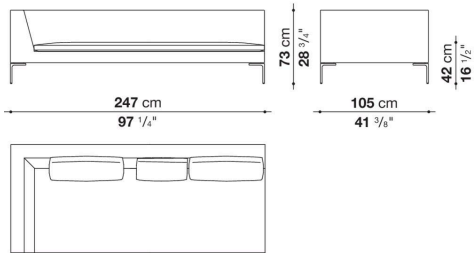
CHL247S



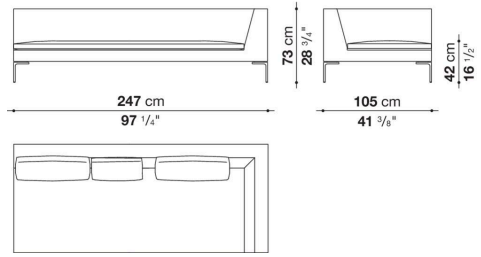
CHL247D



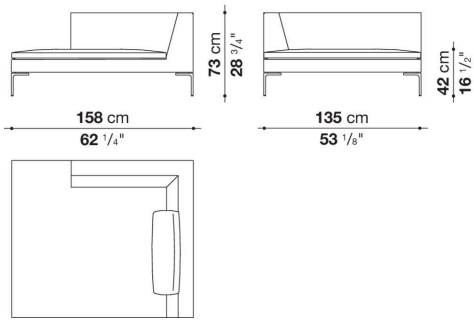
CHL247S_1



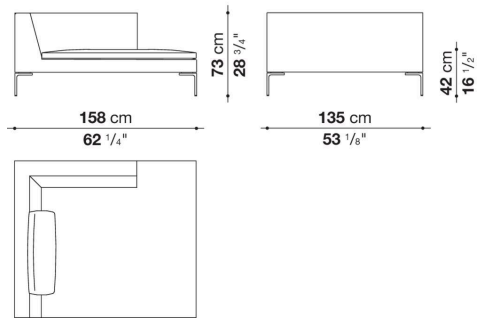
CHL247D_1



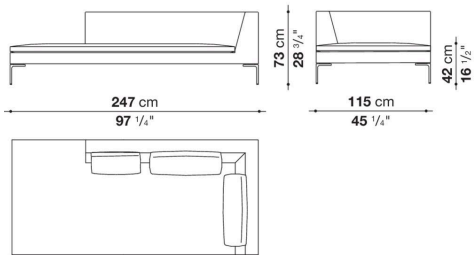
CHL135LS



CHL135LD



CHL247LS_1



CHL247LD_1

