

# Athos '12

TABLES

2012

Paolo Piva



## Description

---

The Athos '12 rectangular table comes in two lengths, in both a fixed and an extensible version, the latter being characterised by an invisible mechanism that allows it to be lengthened so as to accommodate up to twelve people. The V-shaped metal frame supports a thick top softened by rounded edges obtained by means of a complex milling process that enables the wood grain to remain even throughout the entire surface.

## Technical information

---

**Platte**

Paneel aus Spanholz furniert

**Traggestell**

gezogener Stahl

**Gestell (feste Tische)**

Stahlblech

**Gestell (ausziehbare Tische)**

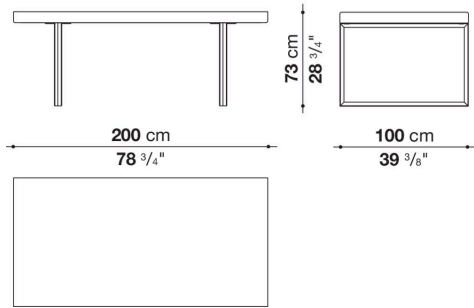
fließgepresstes Aluminium eloxiert, Montageteile aus Kunststoff

**Gleiter**

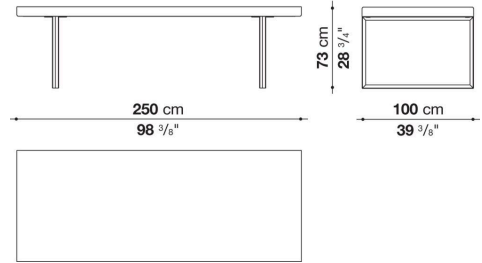
Material thermoplastisch

# Technical drawings

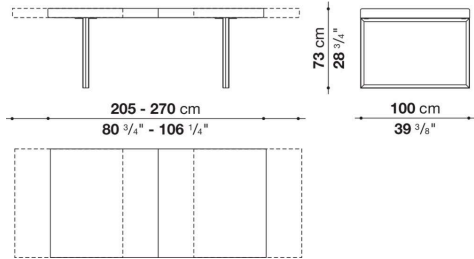
**TAH200F**



**TAH250F**



**TAH205A**



**TAH255A**

