

Bull

COMPLEMENTS

2019

Naoto Fukasawa



Description

Bull is a multipurpose bench that reproduces on a reduced scale the essential design of the homonymous table with the characteristic detail of the slightly inclined round section legs. Available in two sizes, it is made of solid oak in various finishes and completed by round cushions with fabric or leather upholstery.

Technical information

Platte

Massivholz, Paneel aus Spanholz furniert

Gestell

Massivholz

Querträger

Stahl

Füße

Kunststoff

Kissen

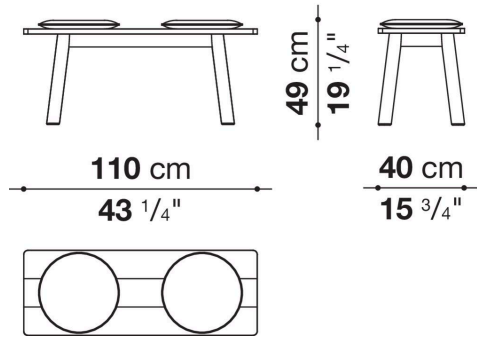
geformtes Polyurethan, Polyesterfaser

Kissenbezug

Stoff oder Leder

Technical drawings

TBU110



TBU190

