

Harry Large

OTTOMAN

2004

Antonio Citterio



Description

An element that can be used almost everywhere, this large round ottoman has seams on the surface that design four sections. It can be used as a seat or as a convenient surface near the sofas. It can also stand alone.

Technical information

Innenrahmen

Stahlrohre und -profile

Innenrahmen Füllung

geformtes Polyurethan verschiedener Dichten, Futter aus Polyesterfaser

FüÙe

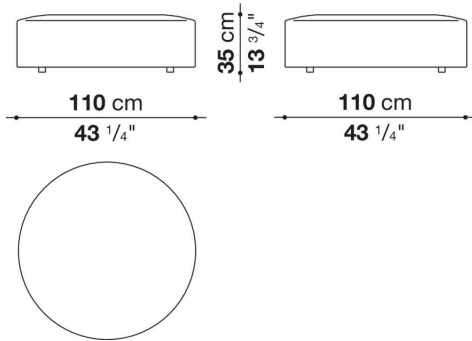
Material thermoplastisch

Bezug

Stoff oder Leder

Technical drawings

HL110P



HL154P

