

# Eileen writing-desk

COMPLEMENTI

2004

Antonio Citterio



## Description

---

Curved wood top, also covered in thick leather, steel structure and practical drawers are the distinctive elements of the Eileen writing desk. Available in two sizes and numerous finishes, it is also proposed in the version with cable glands for functional and refined home office stations.

## Technical information

---

**Top**

veneered multi-layered wood panel or thick leather

**Support frame**

drawn steel

**Drawer**

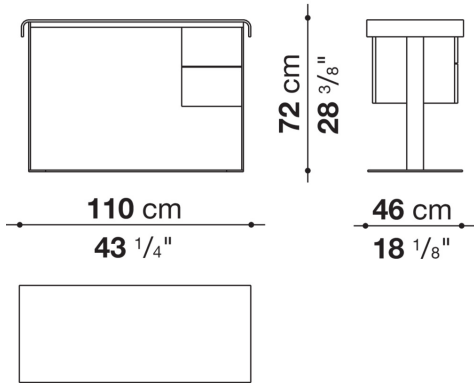
wood particles panel with parts in veneered solid wood

**Cable flap lid**

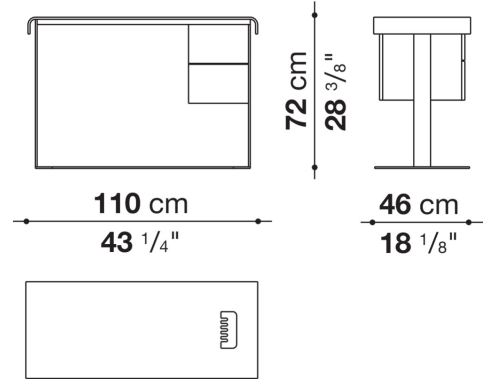
stainless steel sheet

# Technical drawings

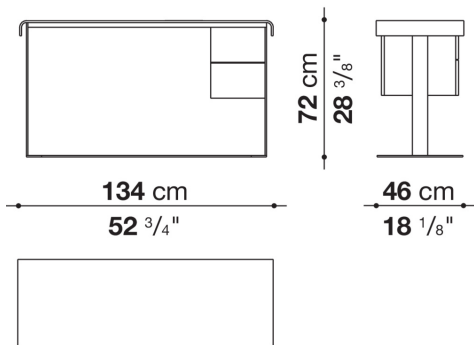
## SE110



## SE110\_P



## SE134



## SE134\_P

