

# Frank

OTTOMAN

2015

Antonio Citterio



## Description

---

Small additional seats or decorative elements, the Frank ottomans are available in two versions: with a high round cushions and steel structure in various finishes, or fully upholstered. For both types, the upholstery is available in fabric or leather.

## Technical information

---

**Gestell (FP40)**

Stahlprofile

**Füllung (FP40)**

Paneel aus Schichtholz, geformtes Polyurethan, Futter aus Polyesterfaser

**Innenrahmen (F58P)**

Stahlrohre und -profile

**Innenrahmen Füllung (F58P)**

kalt elastischer Polyurethanschaum, Futter aus Polyesterfaser

**Gleiter (FP40)**

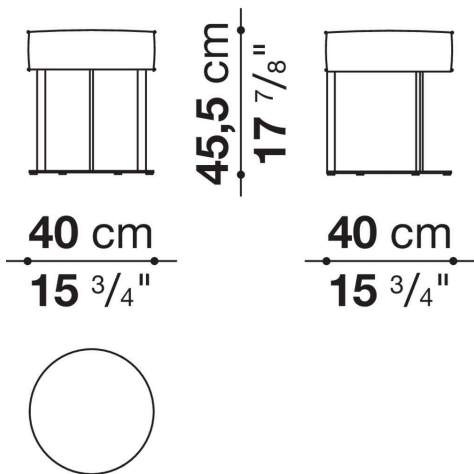
Kunststoff

**Bezug**

Stoff oder Leder

# Technical drawings

## FP40



## F58P

